

MOD:XEFT-03HS-ELDP



ENGLISH

TECHNICAL DATA

| | |
|--|---|
| 01 POWER | 3 kW |
| 03 FREQUENCY | 50 / 60 Hz |
| 04 POWER SUPPLY CABLE TYPE | H07RN-F |
| 05 EXTERNAL Ø OF POWER SUPPLY CABLE | 10 mm |
| 06 VOLTAGE / POWER CABLE SECTION / CURRENT | 220-240 V~1PH+PE 3G x 1,5 mm ² Circuit Breaker 16 A I1=12.8 A - I2= - I3= - In= |
| 10 WATER PRESSURE | 14 kg |
| 11 MAX FOOD LOAD | 3,7 l/h @ 200 kPa |
| 13 WATER MAX CONSUMPTION | 2,7 kW |
| 02 NOMINAL HEAT INPUT | 496x349x260 mm |
| 18 CAVITY DIMENSIONS (W - D - H) | X4 |
| 20 DEGREE OF PROTECTION IP | |

ITALIANO

| | |
|---|---|
| 01 POTENZA | 3 kW |
| 03 FREQUENZA | 50 / 60 Hz |
| 04 TIPO DI CAVO ALIMENTAZIONE | H07RN-F |
| 05 Ø ESTERNO CAVO DI ALIMENTAZIONE | 10 mm |
| 06 TENSIONE / SEZIONE CAVI ALIMENTAZIONE / CORRENTE | 220-240 V~1PH+PE 3G x 1,5 mm ² Circuit Breaker 16 A I1=12.8 A - I2= - I3= - In= |
| 10 PRESSIONE ACQUA | 14 kg |
| 11 CARICA MAX CIBO | 3,7 l/h @ 200 kPa |
| 13 CONSUMO MAX ACQUA | 2,7 kW |
| 02 POTENZA TERMICA NOMINALE | 496x349x260 mm |
| 18 DIMENSIONI CAMERA COTTURA (L - P - H) | X4 |
| 20 GRADO PROTEZIONE IP | |

FRANCAIS

| | |
|--|---|
| 01 PUISSANCE ELECTRIQUE | 3 kW |
| 03 FREQUENCE | 50 / 60 Hz |
| 04 TYPE DE CABLE D'ALIMENTATION | H07RN-F |
| 05 Ø EXTERNE DU CABLE D'ALIMENTATION | 10 mm |
| 06 TENSION / SECTION CABLE D'ALIM. | 220-240 V~1PH+PE 3G x 1,5 mm ² Circuit Breaker 16 A I1=12.8 A - I2= - I3= - In= |
| 10 PRESSION DE L'EAU | 14 kg |
| 11 CHARGE MAXIMALE D'ALIMENT | 3,7 l/h @ 200 kPa |
| 13 CONSOMMATION MAX DE L'EAU | 2,7 kW |
| 02 DEBIT THERMIQUE NOMINAL | 496x349x260 mm |
| 18 DIMENSIONS CHAMBRE DE CUISSON (L - P - A) | X4 |
| 20 INDICE DE PROTECTION IP | |

ESPAÑOL

| | |
|--|---|
| 01 POTENCIA | 3 kW |
| 03 FRECUENCIA | 50 / 60 Hz |
| 04 TIPO DE CABLE DE ALIMENTACION | H07RN-F |
| 05 Ø CABLE EXTERNO DE ALIMENTACION | 10 mm |
| 06 TENSION / SECCION CABLES DE ALIMENTACION | 220-240 V~1PH+PE 3G x 1,5 mm ² Circuit Breaker 16 A I1=12.8 A - I2= - I3= - In= |
| 10 PRESION AGUA | 14 kg |
| 11 CARGA MAX. DE ALIMENTOS | 3,7 l/h @ 200 kPa |
| 13 CONSUMO MAX DE AGUA | 2,7 kW |
| 02 POTENCIA TERMICA NOMINAL | 496x349x260 mm |
| 18 DIMENSIONES CÁMARA DE COCCIÓN (A - A - P) | X4 |
| 20 GRADO DE PROTECCION IP | |

DEUTSCH

| | |
|---|---|
| 01 ELEKTRISCHE LEISTUNG | 3 kW |
| 03 FREQUENZ | 50 / 60 Hz |
| 04 ZULEITUNGSKABELTYP | H07RN-F |
| 05 AUSSENDURCHMESSER DES VERSORGUNGSKABELS | 10 mm |
| 06 KABELQUERSCHNITT UND VERSORGUNGSSPANNUNG | 220-240 V~1PH+PE 3G x 1,5 mm ² Circuit Breaker 16 A I1=12.8 A - I2= - I3= - In= |
| 10 WASSERDRUCK | 14 kg |
| 11 MAX. SPEISENFASSUNGSVERMOGEN | 3,7 l/h @ 200 kPa |
| 13 MAXIMUM WASSERVERBRAUCH | 2,7 kW |
| 02 NOMINALE WARMELEISTUNG | 496x349x260 mm |
| 18 GRÖßE DES KOCHKAMMERS (B - T - H) | X4 |
| 20 SCHTZART IP | |

MOD:XEFT-03HS-ELDP



ENGLISH - DRAWINGS

| | |
|----|-----------------------------|
| 1 | TERMINAL BOARD COVER BOX |
| 2 | TERMINAL BOARD POWER SUPPLY |
| 3 | UNIPOTENTIAL TERMINAL |
| 6 | TECHNICAL DATA PLATE |
| 7 | SAFETY THERMOSTAT |
| 8 | 3/4" THREAD WATER INLET |
| 10 | Rotor.KLEAN CONNECTION |
| 11 | CAVITY DRAIN PIPE |
| 12 | HOT FUMES EXHAUST CHIMNEY |
| 13 | ACCESSORIES CONNECTION |
| 27 | COOLING AIR OUTLET |

ITALIANO - DISEGNI

| | |
|----|-------------------------------|
| 1 | SCATOLA COPRI MORSETTIERA |
| 2 | MORSETTIERA ALIMENTAZIONE |
| 3 | MORSETTO EQUIPOTENZIALE |
| 6 | TARGHETTA DATI TECNICI |
| 7 | TERMOSTATO DI SICUREZZA |
| 8 | INGRESSO ACQUA 3/4" |
| 10 | INGRESSO Rotor.KLEAN |
| 11 | SCARICO CAMERA DI COTTURA |
| 12 | USCITA FUMI CALDI |
| 13 | COLLEGAMENTO ACCESSORI |
| 27 | USCITA ARIA DI RAFFREDDAMENTO |

FRANCAIS - ENCOMBREMEN

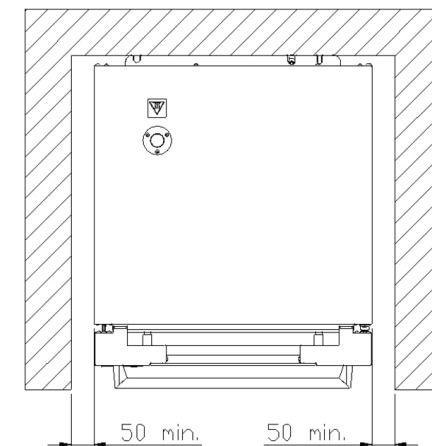
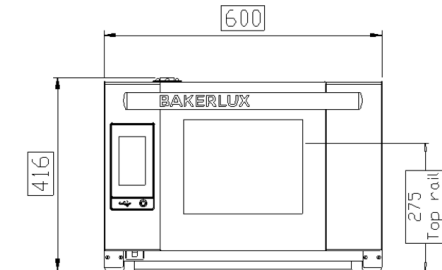
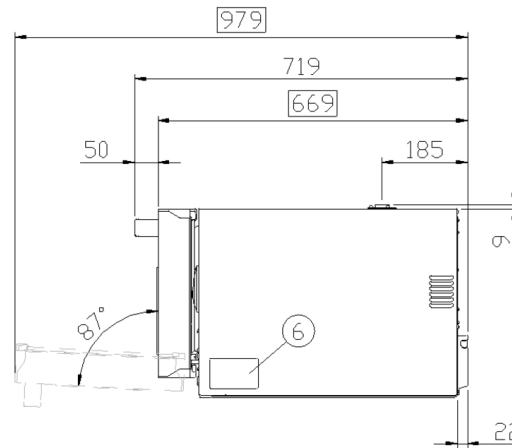
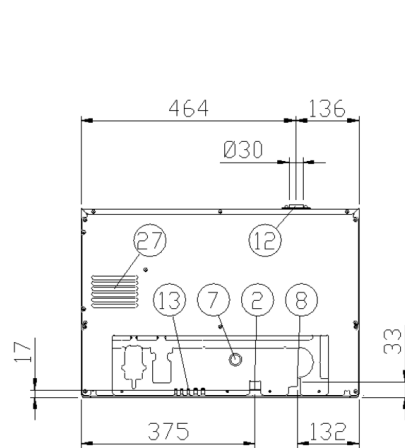
| | |
|----|---------------------------------|
| 1 | CHAUMARD |
| 2 | BOITE A BORNES D'ALIMENTATION |
| 3 | SUPPORT BORNE EQUIPOTENTIELLE |
| 6 | PLAQUETTE SIGNALIQUUE |
| 7 | THERMOSTAT DE SECURITE |
| 8 | ARRIVE' D'EAU FIETL 3/4" |
| 10 | ENTREE Rotor.KLEAN |
| 11 | SORTIE DE L'EAU RACCORD |
| 12 | SORTIE DES FUMEEES CHAUDES |
| 13 | JONCTION DES ACCESSOIRES |
| 27 | SORTIE D'EAU DE REFROIDISSEMENT |

ESPAÑOL - DISEÑOS

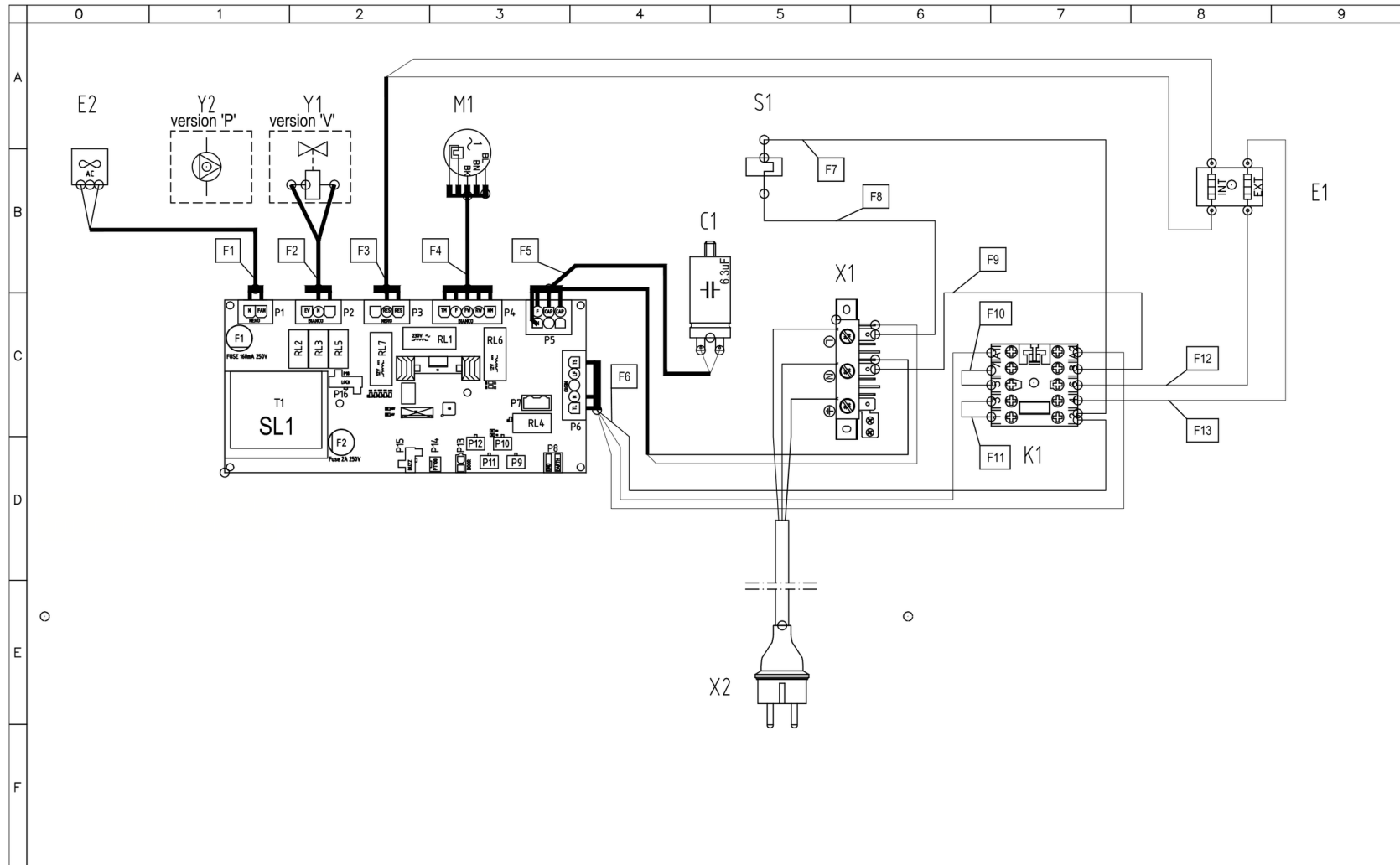
| | |
|----|-------------------------------------|
| 1 | PASA CABLE |
| 2 | CAJA DE CONEXION |
| 3 | SEDE BORNE EQUIPOTENCIAL |
| 6 | TARJETA DE CARACTERISTICAS TECNICAS |
| 7 | TERMOSTATO DE SEGURIDAD |
| 8 | ENTRADA DE AGUA 3/4" |
| 10 | INGRESO Rotor.KLEAN |
| 11 | DESCARGA CAMARA DE COCCION |
| 12 | SALIDA HUMOS CALIENTES |
| 13 | CONEXION ACCESORIOS |
| 27 | SALIDA DEL AIRE DE ENFRIAMIENTO |

DEUTSCH - ZEICHNUNGEN

| | |
|----|---------------------------|
| 1 | KLEMMLEISTENANSCHLUSS |
| 2 | ZULEITUNGSKLEMMLEISTE |
| 3 | GLEICHPOTENTIELLE KLAMMER |
| 6 | TYPENSCHILD |
| 7 | SICHERHEITSTHERMOSTAT |
| 8 | WASSEREINZUG 3/4" GEWINDE |
| 10 | Rotor.KLEAN EINGANG |
| 11 | WASSERAUSLASS GEWINDE |
| 12 | ABZUGSHAUBE |
| 13 | ZUBEHÖRTEILENVERBINDUNG |
| 27 | KÜHLLUFTAUSTRITT |



MOD:XEFT-03HS-ELDP



MOD:XEFT-03HS-ELDP



| | 0 | 1 | 2 | 3 | 4 | 5 | 6 | 7 | 8 | 9 |
|---|-------|----------------------|-----------------------------|---------------------------------|-------------------------------|--------------------------|---|---|---|---|
| A | | | | | | | | | | |
| | o | | | | | | | | | |
| | Sigle | ENGLISH | ITALIANO | FRANCAIS | ESPAÑOL | DEUTSCH | | | | |
| | C1 | MOTOR CAPACITOR | CONDENSATORE | CONDENSATEUR | CONDENSADOR | KONDENSATOR | | | | |
| | K1 | CONTACTOR | TELERUTTORE | TELERUPTEUR | TELERRUPTOR | RELAIS | | | | |
| B | SL1 | POWER CARD | SCHEDA POTENZA | CARTE DE PUISSANCE | TARJETA POTENCIA | POWERPLATINE | | | | |
| | X1 | CONTACTOR | MORSETTIERA | BORNIER | CONECTOR | KLEMMLEISTE | | | | |
| | X2 | POWER CORD + SCHUKO | CAVO ALIMENTAZIONE + SCHUKO | E'PINIE'RE ET SCHUKO | CABLE Y ENCHUFE SCHUKO | KABEL UND SCHUKO-STECKER | | | | |
| | E1 | HEATING ELEMENT | ELEMENTO RISCALDANTE | ELEMENT DE CHAUFFAGE | RESISTENCIA DE CALEFACCIÓN | HEIZUNG | | | | |
| | E2 | COOLING FAN 230V | VENTOLA RAFFREDDAMENTO 230V | TURBINE DE REFROIDISSEMENT 230V | TURBINA DE REFRIGERACION 230V | LÜFTER 230V | | | | |
| | M1 | MOTOR | MOTORE | MOTEUR | MOTOR | MOTOR | | | | |
| C | S1 | SAFETY THERMOSTAT | TERMOSTATO SICUREZZA | THERMOSTAT DE SECURITE | TERMOSTATO DE SEGURIDAD | SICHERHEITS THERMOSTAT | | | | |
| | Y1 | WATER SOLENOID VALVE | ELETTROVALVOLA ACQUA | ELECTROVANNE EAU | ELECTROVALVULA | ELEKTROVENTIL | | | | |
| D | | | | | | | | | | |
| E | | | | | | | | | | |
| F | | | | | | | | | | |