



PS-32 MEAT GRINDER

Hourly output: up to 425 Kg.



FEATURES AND BENEFITS

Ideal for foodservice, communities and food retailers.

- ✓ **The motor unit and the cutting units must be ordered separately.**
- ✓ Stainless steel body.
- ✓ Powerful motor.
- ✓ Stainless steel mesh plate and knife.
- ✓ Easy-to-remove cutting unit for cleaning.
- ✓ Removable stainless steel hopper.
- ✓ Start-stop switch.
- ✓ Please note: as a result of continuous product improvements, these specifications are subject to change without prior notice.

SALES DESCRIPTION

The motor unit and the cutting units must be ordered separately.

Available with stainless steel Enterprise system or Unger double cut system.

3-phase model only.

1 knife and a Ø 6 mm. mesh plate included.

INCLUDES

- ✓ Motor unit.

ACCESSORIES

- Enterprise cutting unit in stainless steel
- Unger cutting unit in stainless steel
- Mesh plates



sammic | www.sammic.com
Food Service Equipment Manufacturer

Polígono Basarte, 1. phone +34 943 15 72 36
20720 Azkoitia, Spain sales@sammic.com



Project	Date
Item	Qty
Approved	

DYNAMIC PREPARATION
COMMERCIAL MEAT GRINDERS

product sheet
updated 19/11/2019



PS-32 MEAT GRINDER

Hourly output: up to 425 Kg.



SPECIFICATIONS

Production /hour (max): 425 Kg

Plate diameter: Ø 98 mm

Inlet mouth diameter (1) : 60 mm

Refrigerated mincer: No

Total loading: 1500 W

External dimensions (WxDxH)

✓ Width: 310 mm

✓ Depth: 460 mm

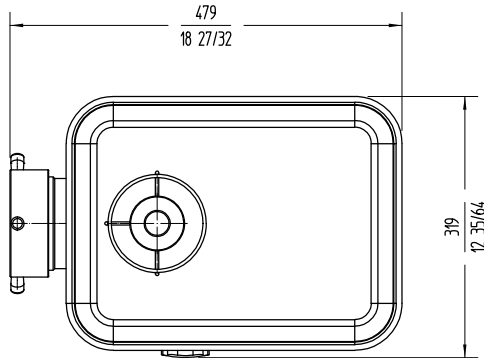
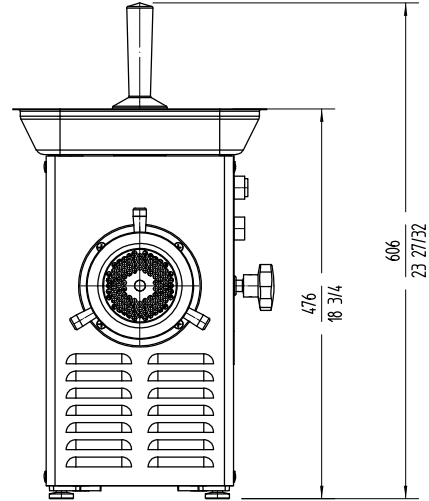
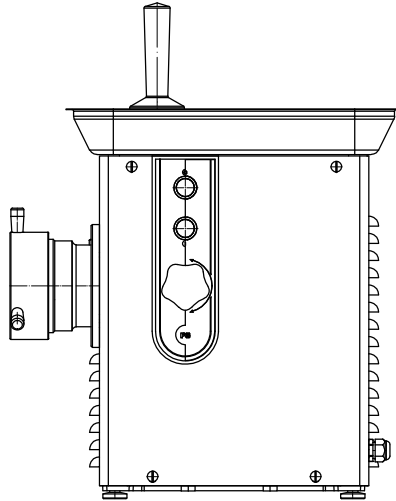
✓ Height: 480 mm

Net weight: 33 Kg

Noise level (1m.): <70 dB(A)

Background noise: 32 dB(A)

IP Protection grade: 21



AVAILABLE MODELS

9500106 PS-32III With Enterprise cutting unit in aluminium

9500107 PS-32III With Enterprise cutting unit in st. st.

9500108 PS-32III With Unger cutting unit in st. st. (double cut)

1050220 Motor unit PS-32 230-400/50/3 (without cutting unit)

1050221 Motor unit PS-32 220/60/3

1050209 Motor unit PS-32 400/60/3

* Ask for special versions availability

sammic | www.sammic.com
Food Service Equipment Manufacturer

Polígono Basarte, 1. phone +34 943 15 72 36
20720 Azkoitia, Spain sales@sammic.com



Project

Date

Item

Qty

Approved

DYNAMIC PREPARATION
COMMERCIAL MEAT GRINDERS

product sheet
updated 19/11/2019