



POTATO PEELER PP-6+ / PPC-6+

Output: 6 Kg. per cycle. Aluminium made potato peeler.



FEATURES AND BENEFITS

Aluminium body potato peeler. Abrasive peeling. The abrasive is highly resistant and long lasting.

- ✓ Base Plate and chamber walls lined with abrasive.
- ✓ Aluminium body.
- ✓ PPC: Equipped with attachment drive to power accessories.
- ✓ Directable cylinder.
- ✓ Integral control panel complete with on/off push buttons and a 0-6 minute timer.

SALES DESCRIPTION

PPC: Equipped with attachment drive to power accessories.

INCLUDES

- ✓ Attachment drive to power accessories (PPC model).

ACCESSORIES

- Vegetable preparation attachment CR-143
- Meat mincer attachment HM-71
- Potato masher attachment P-132
- Stands for potato peelers
- Filters for potato peelers



sammic | www.sammic.com
Food Service Equipment Manufacturer

Polígono Basarte, 1. phone +34 943 15 72 36
20720 Azkoitia, Spain sales@sammic.com



Project	Date
Item	Qty
Approved	

DYNAMIC PREPARATION
COMMERCIAL POTATO PEELERS

product sheet
updated 22/03/2019



POTATO PEELER PP-6+ / PPC-6+

Output: 6 Kg. per cycle. Aluminium made potato peeler.



SPECIFICATIONS

Hourly production: 120 Kg / 150 Kg

Capacity per load: 6 Kg

Timer (min-max): 0' - 6'

Plate speed: 317 rpm

External dimensions (WxDxH)

✓ Width: 395 mm

✓ Depth: 700 mm

✓ Height: 433 mm

External dimensions with stand

✓ Width with stand: 411 mm

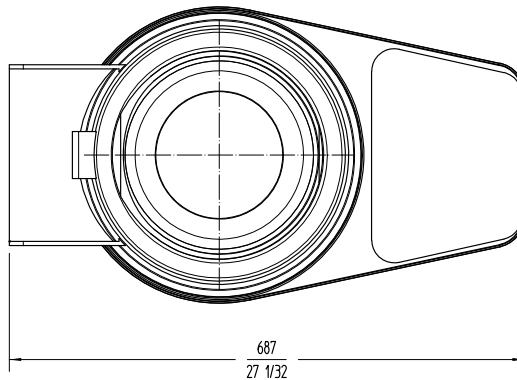
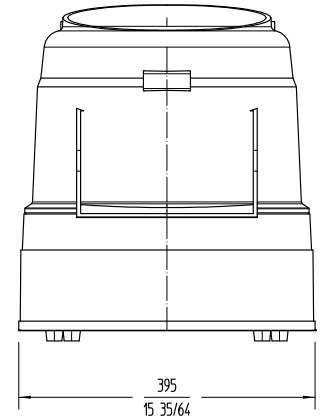
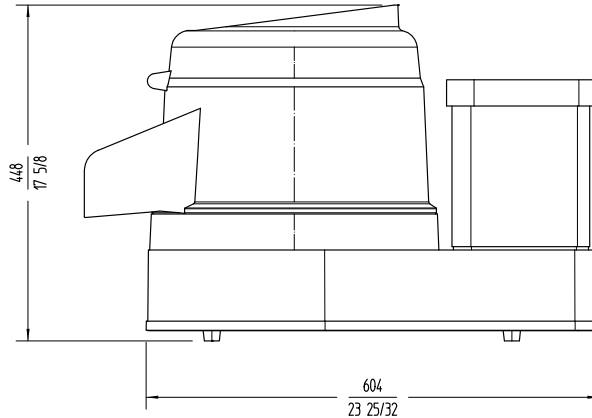
✓ Depth with stand: 700 mm

✓ Height with stand: 945 mm

Net weight: 37 Kg

Noise level (1m.): 70 dB(A)

Background noise: 32 dB(A)



DYNAMIC PREPARATION
COMMERCIAL POTATO PEELERS

AVAILABLE MODELS

1000410 Potato peeler PP-6+ 230-400/50/3 ·370W

1000411 Potato peeler PP-6+ 230/50/1 ·400W

1000430 Potato peeler PPC-6+ 230-400/50/3 ·550W

1000431 Potato peeler PPC-6+ 230/50/1 ·550W

* Ask for special versions availability

 **sammic** | www.sammic.com
Food Service Equipment Manufacturer

Polígono Basarte, 1. phone +34 943 15 72 36
20720 Azkoitia, Spain sales@sammic.com



Project

Date

Item

Qty

Approved

product sheet
updated 22/03/2019