



POTATO PEELER PP-12+ / PPC-12+

Output: 12 Kg. per cycle. Aluminium made potato peeler.



FEATURES AND BENEFITS

Aluminium body potato peeler. Abrasive peeling. The abrasive is highly resistant and long lasting.

- ✓ Base Plate and chamber walls lined with abrasive.
- ✓ Aluminium body.
- ✓ PPC: Equipped with attachment drive to power accessories.
- ✓ Directable cylinder.
- ✓ Integral control panel complete with on/off push buttons and a 0-6 minute timer.

SALES DESCRIPTION

PPC: Equipped with attachment drive to power accessories.

INCLUDES

- ✓ Attachment drive to power accessories (PPC model).

ACCESSORIES

- Vegetable preparation attachment CR-143
- Meat mincer attachment HM-71
- Potato masher attachment P-132
- Stands for potato peelers
- Filters for potato peelers



sammic | www.sammic.com
Food Service Equipment Manufacturer

Polígono Basarte, 1. phone +34 943 15 72 36
20720 Azkoitia, Spain sales@sammic.com



Project	Date
Item	Qty
Approved	

DYNAMIC PREPARATION
COMMERCIAL POTATO PEELERS

product sheet
updated 21/11/2019



POTATO PEELER PP-12+ / PPC-12+

Output: 12 Kg. per cycle. Aluminium made potato peeler.



SPECIFICATIONS

Hourly production: 220 Kg / 270 Kg

Capacity per load: 12 Kg

Timer (min-max): 0' - 6'

Plate speed: 317 rpm

External dimensions (WxDxH)

✓ Width: 395 mm

✓ Depth: 700 mm

✓ Height: 503 mm

External dimensions with stand

✓ Width with stand: 411 mm

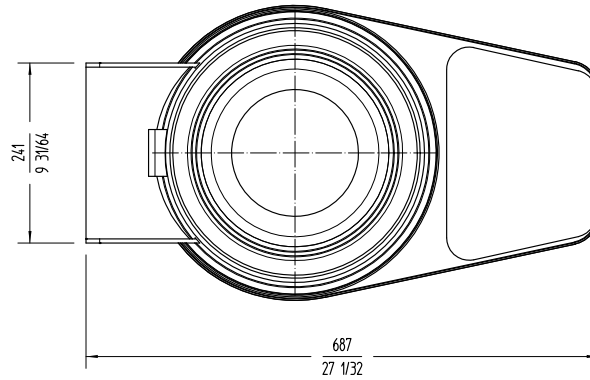
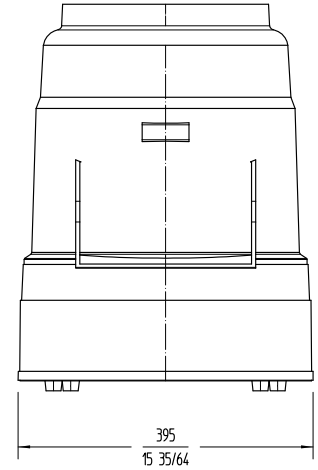
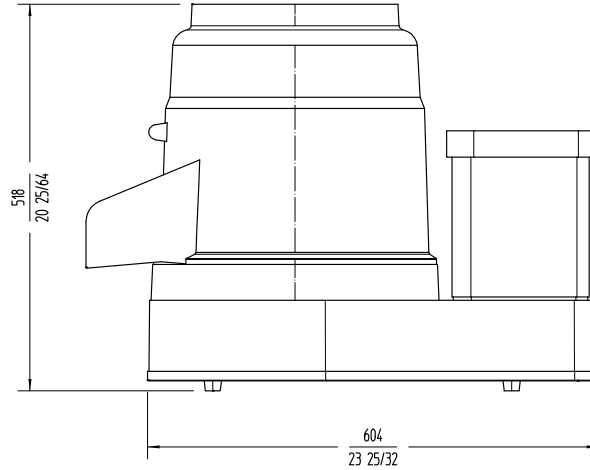
✓ Depth with stand: 700 mm

✓ Height with stand: 1015 mm

Net weight: 38 Kg

Noise level (1m.): 70 dB(A)

Background noise: 32 dB(A)



AVAILABLE MODELS

1000395	Potato peeler PPC-12	230/50/1
1000420	Potato peeler PP-12+	230-400/50/3 ·370W
1000421	Potato peeler PP-12+	230/50/1 ·400W
1000422	Potato peeler PP-12+	220-380/60/3
1000423	Potato peeler PP-12+	220/60/1
1000426	Potato peeler PP-12+	440/60/3
1000427	Potato peeler PP-12+	120/60/1
1000440	Potato peeler PPC-12+	230-400/50/3 ·550W
1000441	Potato peeler PPC-12+	230/50/1 ·550W
1000442	Potato peeler PPC-12+	220-380/60/3
1000443	Potato peeler PPC-12+	220/60/1
1000446	Potato peeler PPC-12+	440/60/3

* Ask for special versions availability

sammic | www.sammic.com
Food Service Equipment Manufacturer

Polígono Basarte, 1. phone +34 943 15 72 36
 20720 Azkoitia, Spain sales@sammic.com



Project	Date
Item	Qty
Approved	

DYNAMIC PREPARATION
COMMERCIAL POTATO PEELERS

product sheet
updated 21/11/2019