



PEELER & SALAD DRYER PES-20

2 in 1: potato peeler & salad dryer



FEATURES AND BENEFITS

- ✓ Potato peeler manufactured in stainless steel.
- ✓ Aluminium base plate lined with silicon carbide abrasive (approved by NSF), easily removable for cleaning purposes.
- ✓ Water inlet system with non-return air break.
- ✓ Watertight controls (IP65).
- ✓ Lifiable cover.
- ✓ As salad dryer:
- ✓ Capacity: 2 Kg per cycle (20 Kg/h).
- ✓ Volume: 19.5 litres.

SALES DESCRIPTION

As potato peeler: 20 Kg load per cycle.

As salad dryer: 2 Kg load per cycle (20 Kg/h) capacity.

INCLUDES

- ✓ Abrasive plate.
- ✓ Drying basket.

ACCESSORIES

- Knife plate for PES-20
- Stands for potato peelers
- Filters for potato peelers
- Plastic Basket set



sammic | www.sammic.com
Food Service Equipment Manufacturer

Polígono Basarte, 1. phone +34 943 15 72 36
20720 Azkoitia, Spain sales@sammic.com



Project	Date
Item	Qty
Approved	

DYNAMIC PREPARATION
COMMERCIAL POTATO PEELERS

product sheet
updated 13/09/2019



PEELER & SALAD DRYER PES-20

2 in 1: potato peeler & salad dryer



SPECIFICATIONS

Peeler function

- ✓ Hourly production: 300 Kg
- ✓ Capacity per load: 20 Kg
- ✓ Equipment: abrasive plate: 1

Draining function

- ✓ : 20 Kg
- ✓ Production/hour (salad spinner): 19.5 l
- ✓ Draining basket: 1

General features

- ✓ Timer (min-max): 0 ' - 6 '
- ✓ Total loading: 550 W

External dimensions (WxDxH)

- ✓ Width: 433 mm
- ✓ Depth: 635 mm
- ✓ Height: 786 mm

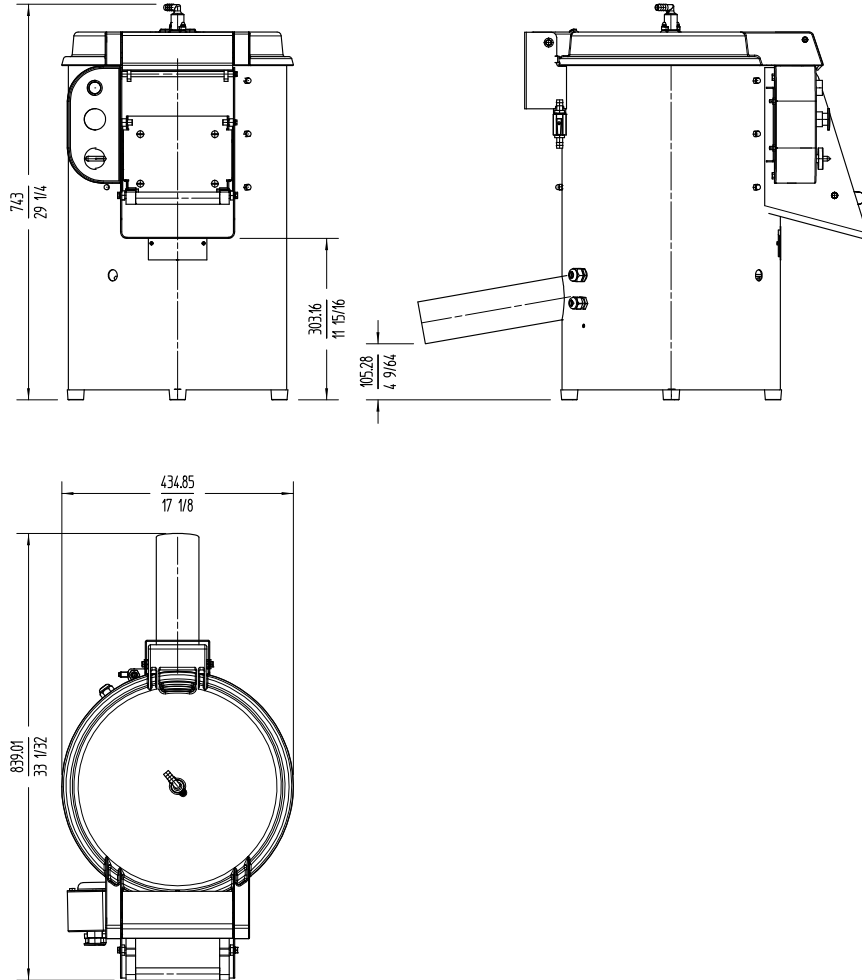
External dimensions with stand

- ✓ Width with stand: 433 mm
- ✓ Depth with stand: 638 mm
- ✓ Height with stand: 1155 mm

Net weight: 39 Kg

Noise level (1m.): <70 dB(A)

Background noise: 32 dB(A)



AVAILABLE MODELS

1000670 Potato peeler-salad drier PES-20 230-400/50/3N

1000671 Potato peeler-salad drier PES-20 230/50/1

1000672 Potato peeler-salad drier PES-20 220-380/60/3N

1000673 Potato peeler-salad drier PES-20 220/60/1

1000676 Potato peeler-salad drier PES-20 120/60/1

* Ask for special versions availability

sammic | www.sammic.com
Food Service Equipment Manufacturer

Polígono Basarte, 1. phone +34 943 15 72 36
20720 Azkoitia, Spain sales@sammic.com



Project

Date

Item

Qty

Approved