



FOOD-PROCESSOR K-82

Bowl capacity: 8 litres. 2-speed.



DYNAMIC PREPARATION
CUTTER-MIXERS & EMULSIFIERS



SALES DESCRIPTION

To cut, grind, mix and knead any food in seconds.

FEATURES AND BENEFITS

Efficiency and performance

- ✓ Professional performance: large capacity.
- ✓ 2-speed.
- ✓ Top orifice in lid, to add liquids while the machine is in operation.
- ✓ “Cut&mix” mixer optional.

Built to last

- ✓ Robust construction of stainless steel and food-grade materials of the highest quality: stainless steel motor block with aluminium lid. Stainless steel hopper with highly-resistant polycarbonate lid.

Maximum comfort for the user

Waterproof control panel that is very intuitive to use.

Maintenance, safety, hygiene

- ✓ Safety microswitches on the hopper and lid position.
- ✓ Appliance certified by NSF International (regulations on hygiene, cleaning and materials suitable for contact with foods).
- ✓ 100% tested.

INCLUDES

- ✓ Set of micro-serrated blades.

ACCESSORIES

- Blades for CK / K / KE
- “Cut&Mix” Scrapers CK / K / KE



sammic | www.sammic.com
Food Service Equipment Manufacturer

Polígono Basarte, 1. phone +34 943 15 72 36
20720 Azkoitia, Spain sales@sammic.com



Project	Date
Item	Qty
Approved	

product sheet
updated 14/11/2019



FOOD-PROCESSOR K-82

Bowl capacity: 8 litres. 2-speed.



SPECIFICATIONS

- Bowl capacity: 8 l
- Bowl dimensions: Ø240 mm x 199 mm
- Total loading: 900-1500 W
- Speed, min-max: 1500 rpm / 3000 rpm

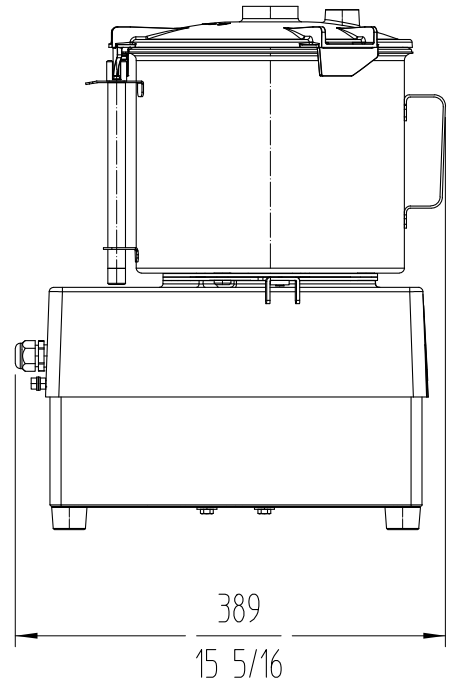
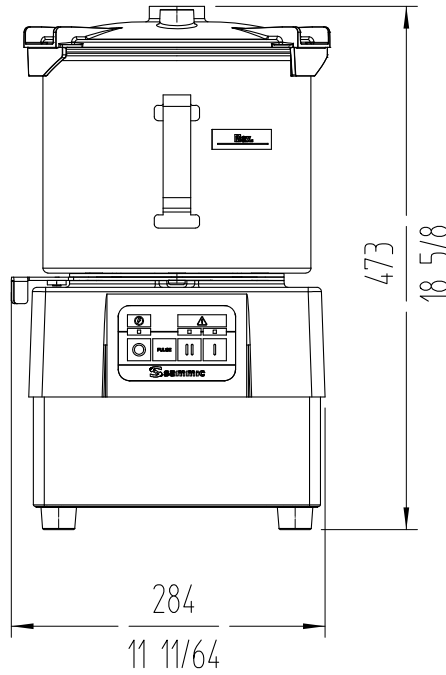
External dimensions (WxDxH)

- ✓ Width: 286 mm
- ✓ Depth: 387 mm
- ✓ Height: 473 mm

Net weight: 22.6 Kg

Crated dimensions

- 440 x 355 x 570 mm
- Volume Packed: 0.09 m³
- Gross weight: 25.6 Kg.



DYNAMIC PREPARATION
CUTTER-MIXERS & EMULSIFIERS

AVAILABLE MODELS

1050850 Cutter K-82 400/50/3N

* Ask for special versions availability

sammic | www.sammic.com
Food Service Equipment Manufacturer

Polígono Basarte, 1. phone +34 943 15 72 36
20720 Azkoitia, Spain sales@sammic.com



Project	Date
Item	Qty
Approved	

product sheet
updated 14/11/2019