



FOOD-PROCESSOR - EMULSIFIER CKE-5

Capacity of the bowl: 5 lt. (5¼ qt.). Variable speed appliance. Control panel with timer.



DYNAMIC PREPARATION
CUTTER-MIXERS & EMULSIFIERS



FEATURES AND BENEFITS

- ✓ Specially designed to work with liquids.
- ✓ Cover design allows liquids to be added while in operation.
- ✓ Adjustable speed.
- ✓ Three modes of use: continuous, timer or pulse function.
- ✓ Unique “Cut&Mix” scraper included.
- ✓ Stainless steel construction and highest quality material, all suitable for contact with food.
- ✓ It consists of a variable speed motor block with a regular hopper and a 5 lt. (5¼ qt.) food processor bowl complete with a hub with serrated blades.
- ✓ Strong, very easy to use and clean.
- ✓ High production. Ventilated motor allowing continuous use.
- ✓ User-friendly, waterproof led-lit control panel.
- ✓ Allows programming by time and includes a pulse switch
- ✓ Complete with “Cut&Mix” scraper.

SALES DESCRIPTION

Consists of a motor block and a 5 lt. (5¼ qt.) bowl and a hub with serrated blades.

INCLUDES

- ✓ Motor block. with serrated blades.
- ✓ 5 bowl complete with a hub ✓ “Cut&Mix” scraper.

ACCESSORIES

- Blades for CK/CKE
- “Cut&Mix” Scrapers CK/CKE



sammic | www.sammic.com
Food Service Equipment Manufacturer

Polígono Basarte, 1. phone +34 943 15 72 36
20720 Azkoitia, Spain sales@sammic.com



Project	Date
Item	Qty
Approved	

product sheet
updated 06/05/2019



FOOD-PROCESSOR - EMULSIFIER CKE-5

Capacity of the bowl: 5 lt. (5¼ qt.). Variable speed appliance. Control panel with timer.



SPECIFICATIONS

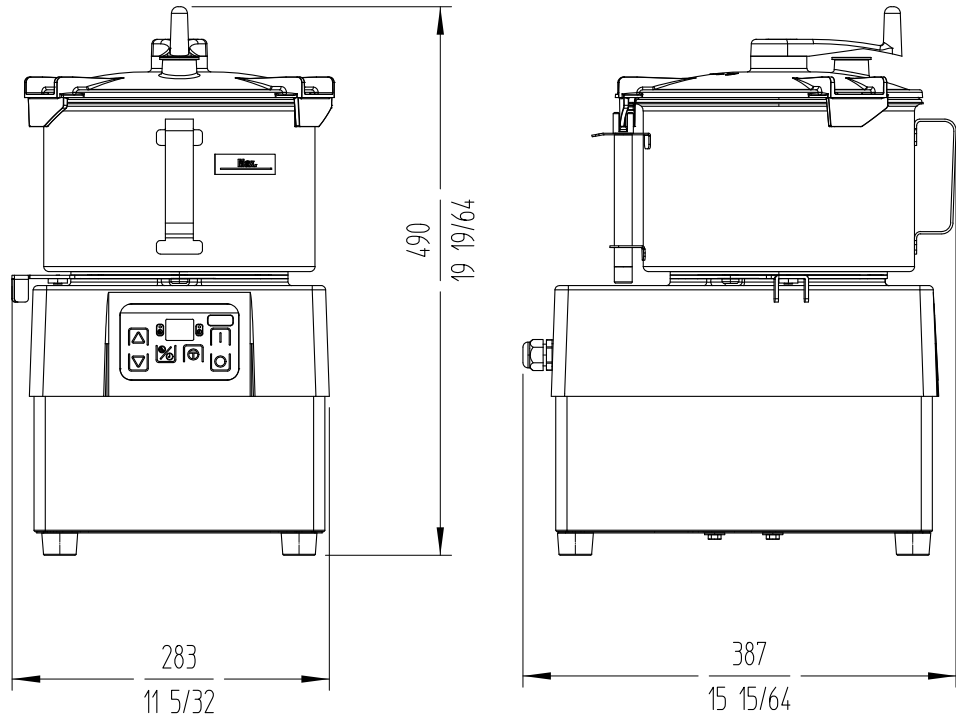
- Bowl capacity: 5.5 l
- Bowl dimensions: Ø240 mm x 150 mm
- Total loading: 1250 W
- Speed, min-max: 385 rpm - 3000 rpm

External dimensions (WxDxH)

- ✓ Width: 284 mm
 - ✓ Depth: 374 mm
 - ✓ Height: 439 mm
- Net weight: 23 Kg

Crated dimensions

450 x 360 x 580 mm



DYNAMIC PREPARATION
CUTTER-MIXERS & EMULSIFIERS

AVAILABLE MODELS

1050140 Cutter-Emulsifier CKE-5 230/50-60/1

* Ask for special versions availability

sammic | www.sammic.com
Food Service Equipment Manufacturer

Polígono Basarte, 1. phone +34 943 15 72 36
20720 Azkoitia, Spain sales@sammic.com



Project	Date
Item	Qty
Approved	

product sheet
updated 06/05/2019