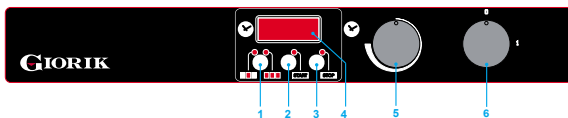


SH20

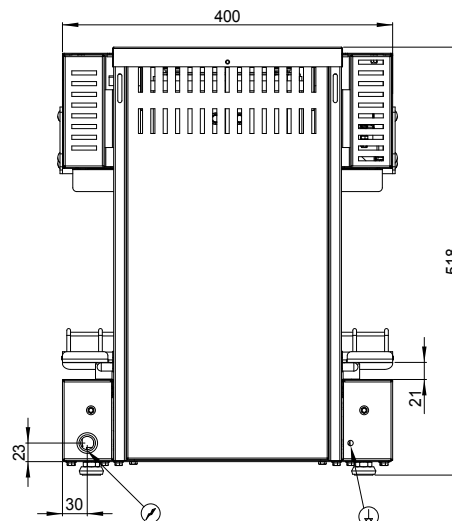
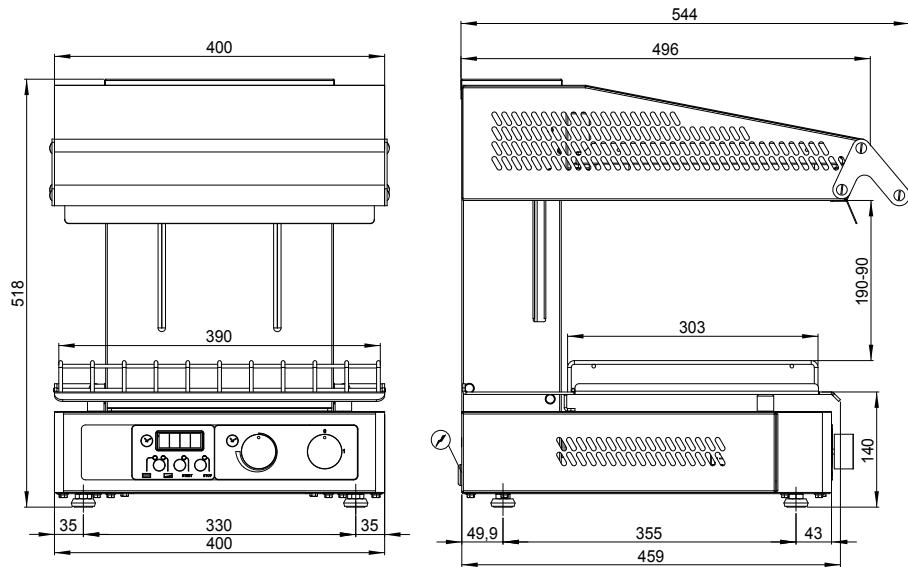
FAST SALAMANDERS HI-LITE



- Exclusive patented heating system.
- Cooktop in stainless steel grill.
- Wall support standard on all units.



- 1 On/Off button for the heating elements.
- 2 Cooking cycle start/stored cycle repetition button
- 3 Cooking cycle stop/acoustic signal silencing.
- 4 Digital display.
- 5 timer programming knob(from 1' to 15' in 15"steps).
- 6 On/off knob.



GENERAL TECHNICAL DATA

Package dimension (wxdxh)	cm 53x60x62
Package volume	m ³ 0,2
Weight	kg 43
Oven chamber power	-
Absorbed power	kW 3
Power supply voltage	1N 230V 50Hz
Chamber capacity	-
Distance between trays	-
Cooking chamber net dimensions(wxdxh)	-