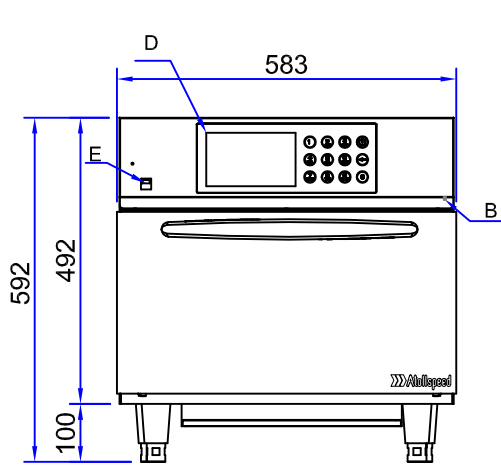
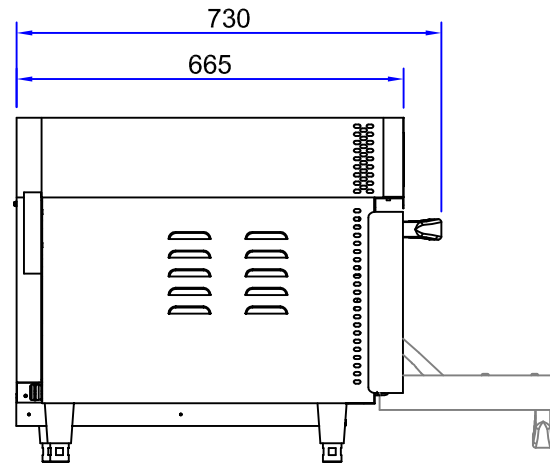


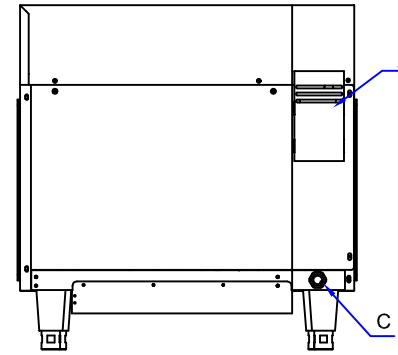
# Kolb Atollspeed 400H K02-4003T1S



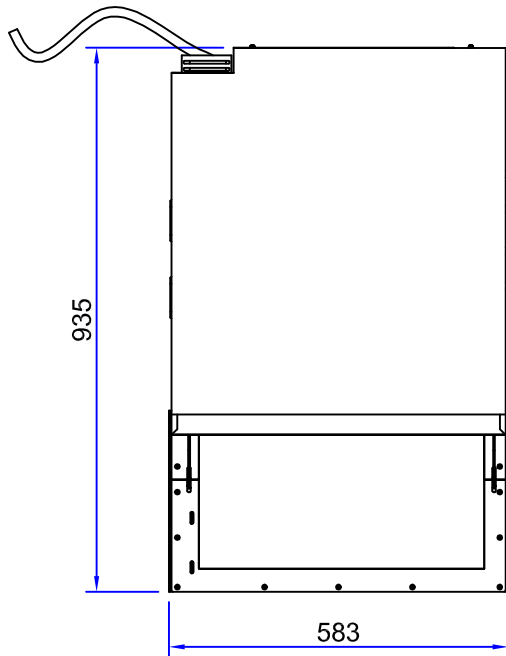
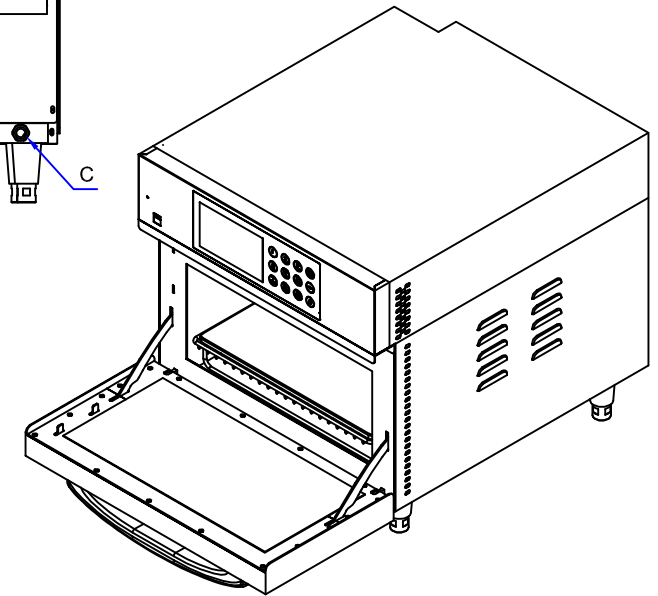
Front view



Side view



Rear view



Top view

- A Steam discharge cover
- B Temperature limiter
- C Power cable
- D Touch screen display
- E USB

Dimension: 583(W) x 730(D) x 592(H) mm  
 Door open dimension: 583(W) x 935(D) x 592(H) mm  
 Baking chamber dimension: 450(W) x 350(D) x 200(H) mm  
 Standard Voltage: 380-400V~, 50Hz, 3N, PE  
 Optional Voltage: 415V~ ( Specify on order )  
 Optional Frequency: 60Hz ( Specify on order )  
 Total power: 4.9 kW  
 Microwave input power: 3.2 kW  
 Heating power: 3.3 kW  
 Current: 16 A  
 Noise Level: 65 dB  
 Weight: 99 kg  
 Microwave frequency: 2.465 GHz  
 Recommended Fuse Type: D or K (slow)  
 Recommended Wiring: 2.5 mm<sup>2</sup>

Signature: \_\_\_\_\_  
 Date: \_\_\_\_\_

### Unassigned Tolerance According to DIN ISO 2768-1

Dimension	0.3 To 6	6 To 30	30 To 120	120 To 400	Radius 0.5 To 3	Radius 3 To 6	mm
Tolerance	±0.1	±0.2	±0.3	±0.5	±0.2	±0.5	mm

**Kolb Huizhou Ltd.**

Tel: +86 (0)752 6111 203 ext. 219

Mail: info@kolbcn.com

Website: www.kolbcn.com

Tolerance		Customer Title: Atollspeed 400H	Material: SS304
X.±	X.°	Kolb Item Number:	Version: 01
.X±	.X°		
.XX±	.XX°	Kolb Item Name: Atollspeed 400H	
		Weight	Page
		Thickness K02-4003T1S	Item Number K02-4003T1S
			Page 1/1

1	Approve		Check		Draft	Lucah	Unit	mm
Quantity	Date		Date		Date	09.12.2020	Scale	1:1