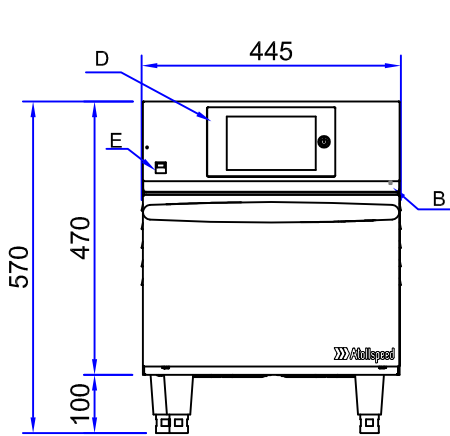
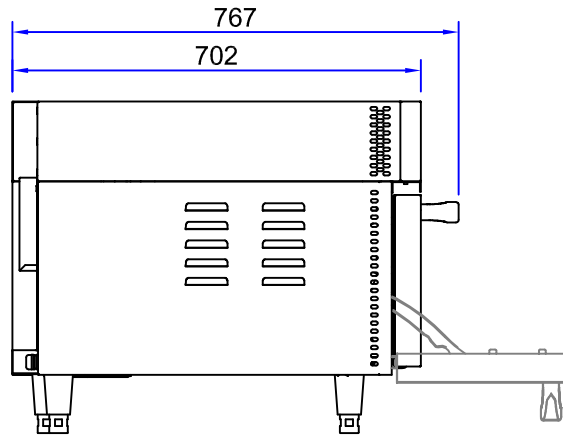


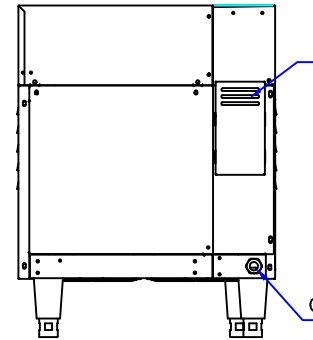
# Kolb Atollspeed Power K02-3006T1S



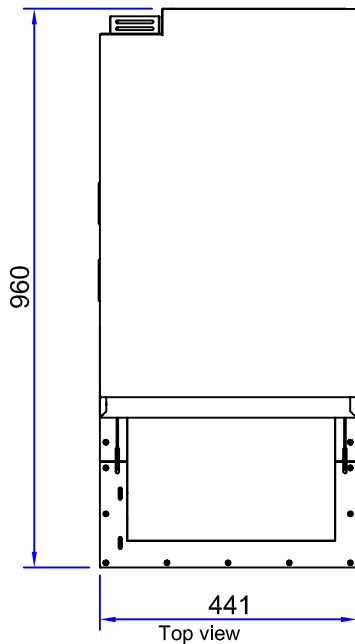
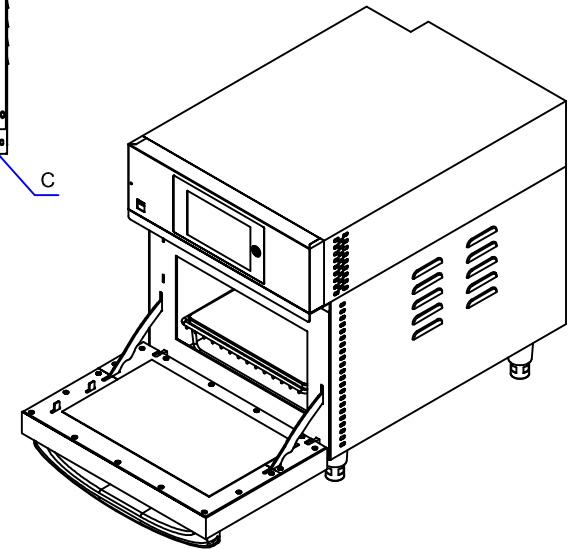
Front view



Side view



Rear view



Top view

- A Steam discharge cover
  - B Temperature limiter
  - C Power cable
  - D Touch screen display
  - E USB
- Dimension: 445(W) x 767(D) x 570(H) mm  
 Door open dimension: 445(W) x 960(D) x 570(H) mm  
 Baking chamber dimension: 317(W) x 311(D) x 170(H) mm  
 Standard Voltage: 220-230V~, 50Hz, PE  
 Optional Voltage: 208V~, 240V~ (Specify on order)  
 Optional Frequency: 60Hz (Specify on order)  
 Total power: 4.2 kW  
 Microwave input power: 2.6 kW  
 Heating power: 3.3 kW  
 Current: 18.5 A  
 Noise Level: 65 dB  
 Weight: 78 kg  
 Microwave frequency: 2.465 GHz  
 Recommended Fuse Type: D, K or C (slow)  
 Recommended Wiring: 2.5 mm<sup>2</sup>

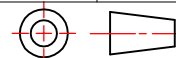
Signature: \_\_\_\_\_  
 Date: \_\_\_\_\_

| Unassigned Tolerance According to DIN ISO 2768-1 |          |         |           |            |                    |                  |    |
|--|----------|---------|-----------|------------|--------------------|------------------|----|
| Dimension  | 0.3 To 6 | 6 To 30 | 30 To 120 | 120 To 400 | Radius<br>0.5 To 3 | Radius<br>3 To 6 | mm |
| Tolerance  | ±0.1     | ±0.2    | ±0.3      | ±0.5       | ±0.2               | ±0.5             | mm |

**Kolb Huizhou Ltd.**

Tel: +86 (0)752 6111 203 ext. 219  
 Mail: info@kolbcn.com  
 Website: www.kolbcn.com

|                                  |                                  |                   |
|----------------------------------|----------------------------------|-------------------|
| Tolerance                        | Customer Title: Atollspeed Power | Material: SS304   |
| X.±                              | X.°                              | Kolb Item Number: |
| .X±                              | .X°                              |                   |
| .XX±                             | .XX°                             |                   |
| Kolb Item Name: Atollspeed Power |                                  | Version: 01       |



|        |           |             |      |
|--------|-----------|-------------|------|
| Weight | Thickness | Item Number | Page |
|        |           |             | 1/1  |

|          |         |  |       |  |       |            |       |     |
|----------|---------|--|-------|--|-------|------------|-------|-----|
| 1        | Approve |  | Check |  | Draft | Lucah      | Unit  | mm  |
| Quantity | Date    |  | Date  |  | Date  | 09.12.2020 | Scale | 1:1 |