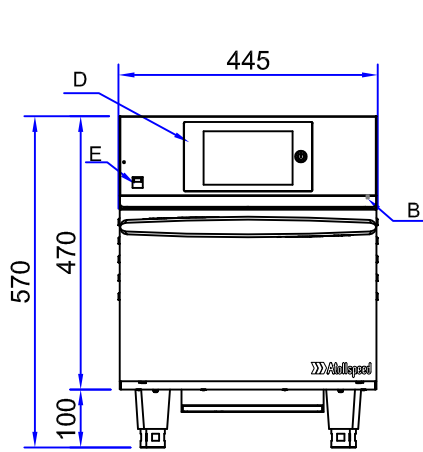
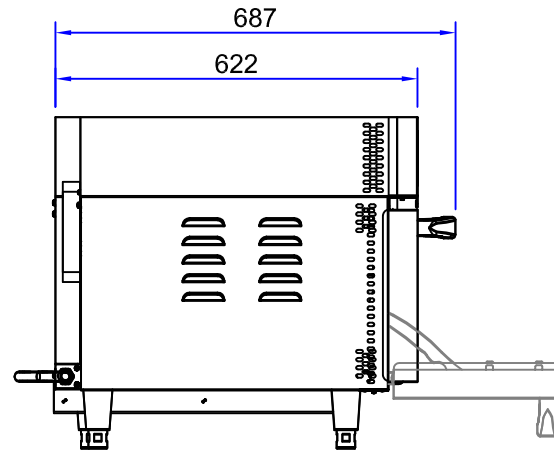


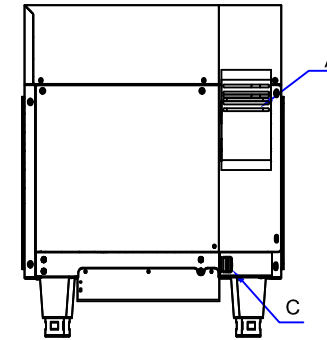
Kolb Atollspeed Easy K02-3005T1S



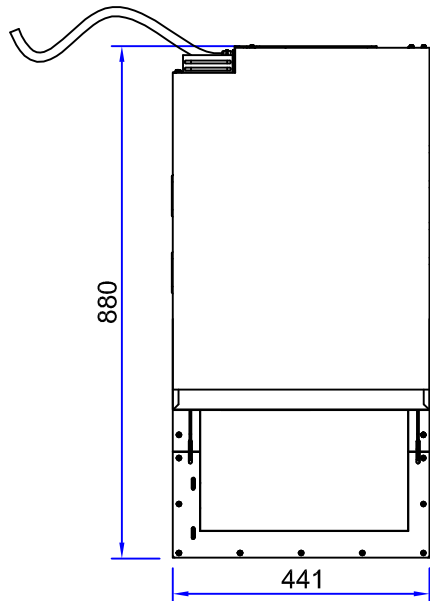
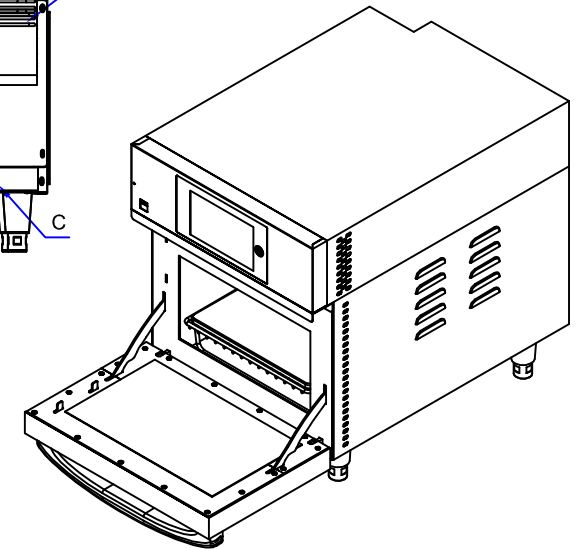
Front view



Side view



Rear view



Top view

- A Steam discharge cover
- B Temperature limiter
- C Power cable
- D Touch screen display
- E USB

Dimension: 445(W) x 687(D) x 570(H) mm
 Door open dimension: 445(W) x 880(D) x 570(H) mm
 Baking chamber dimension: 317(W) x 311(D) x 170(H) mm
 Standard Voltage: 220-230V~, 50Hz, PE
 Optional Voltage: 208V~, 240V~ (Specify on order)
 Optional Frequency: 60Hz (Specify on order)
 Total power: 2.7 kW
 Microwave input power: 1.3 kW
 Heating power: 2.7 kW
 Current: 12.2 A
 Noise Level: 65 dB
 Weight: 63 kg
 Microwave frequency: 2.465 GHz
 Recommended Fuse Type: D, K or C (slow)
 Recommended Wiring: 2.5 mm²

Signature: _____
 Date: _____

Unassigned Tolerance According to DIN ISO 2768-1							
Dimension	0.3 To 6	6 To 30	30 To 120	120 To 400	Radius 0.5 To 3	Radius 3 To 6	mm
Tolerance	±0.1	±0.2	±0.3	±0.5	±0.2	±0.5	mm

Kolb Huizhou Ltd.

Tel: +86 (0)752 6111 203 ext. 219

Mail: info@kolbcn.com

Website: www.kolbcn.com

Tolerance		Customer Title: Atollspeed Easy		Material: SS304	
X.±	X.°	Kolb Item Number:		Version: 01	
.X±	.X°	Kolb Item Name: Atollspeed Easy			
.XX±	.XX°				
		Weight	Thickness	Item Number	Page
			K02-3005T1S		1/1

1	Approve		Check		Draft	Lucah	Unit	mm
Quantity	Date		Date		Date	09.12.2020	Scale	1:1