



**HOSHIZAKI**

> **KMD-270AA**

daily ice production capacity of up to 270kg



Crescent-shaped ice moves around freely yet packs together tightly in its bin, maximising storage capacity. Individual crescents do not stick together as there are no air pockets so that each piece of ice comes across distinctive in a cup of drink. This unit can be fitted on a dispenser for quick and ease-of- access.



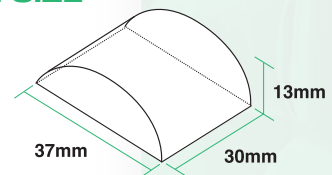
> **KMD-270AA**  
(With Hoshizaki Storage Bin - **B-301SA**)

CRESCENT ICE MAKER SERIES

**FEATURES**

- > stainless steel evaporator
- > audible controller board
- > easy cleaning with pull out filter & removable water tank
- > low 53db noise level
- > fitted with reliable mechanical proximity bin control switch
- > cyclesaver® design 
- > evercheck® alert 
- > compartmentalised internal design
- > able to be installed on 560mm (22") wide drink dispenser
- > water cooled model available

**ICE SIZE**



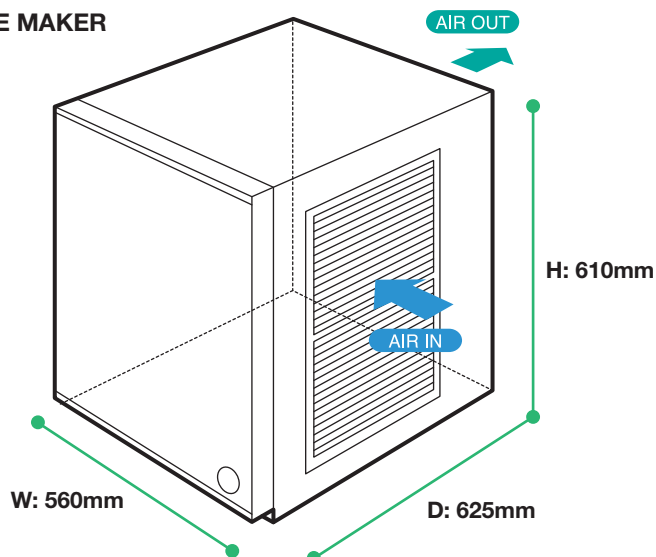
**Crescent Ice Maker  
KMD-270AA**

Allows installation on 560mm(22")wide drink dispenser.

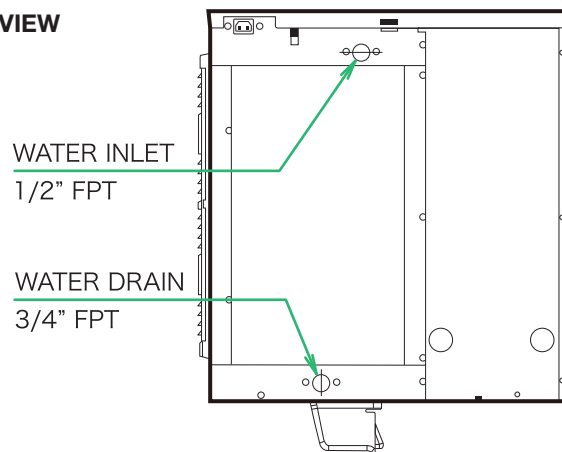


# DIMENSIONS & SPECIFICATION

## CRESCENT ICE MAKER AIR SYSTEM



## BACK VIEW



<b>MODEL NAME</b>		<b>KMD-270AA</b>
<b>ICE DIMENSIONS (MM) (W x D x H)</b>		37 x 30 x 13
<b>DIMENSIONS (MM) (W x D x H)</b>		560 x 625 x 610
<b>PACKED DIMENSIONS (MM) (W x D x H)</b>		668 x 727 x 793
<b>WEIGHT (NETT/GROSS)</b>		57 KG / 73 KG
<b>AMPERAGE / STARTING AMPERAGE</b>		4.9A / 24A
<b>ELECTRICAL CONSUMPTION</b>		1030 W
<b>REFRIGERANT CHARGE</b>		R404a
<b>HEAT REJECTION</b>		2435 W (2094 kcal/h)
<b>ICE PRODUCTION PER 24H (15MM)</b>	(AT10°C/WT10°C)	265 KG
	(AT21°C/WT15°C)	248 KG
	(AT32°C/WT21°C)	221 KG
<b>WATER CONSUMPTION PER 24H (AT21°C/WT15°C)</b>		0.54 m <sup>3</sup> 2.2L / 1KG ICE
<b>ICE PRODUCTION (AT21°C/WT15°C)</b>	<b>FREEZE CYCLE TIME</b>	30.2 MIN
	<b>PER CYCLE</b>	5.7 KG / 624 PCS

**• WARRANTY:**

Two years parts & labour for entire unit, 3<sup>rd</sup> year on compressor only. Excluding door & exterior damages

**OPERATING CONDITIONS:**

• Voltage Range: 198V-254V • Ambient Temperature: 1°-40°C  
• Water Supply: 5°-35°C / 0.07-0.8 Mpa / 7.25-116 PSI • AC Supply Voltage: 1/220-240V / 50 Hz