



**HOSHIZAKI**

## > **KM-901MAH50**

daily ice production capacity of up to 400kg



> **KM-901MAH50**  
(With Hoshizaki Storage Bin - **B-900**)

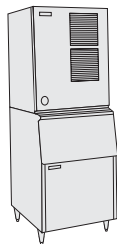
Crescent-shaped ice moves around freely yet packs together tightly in its bin, maximising storage capacity. Individual crescents do not stick together as there are no air pockets so that each piece of ice comes across distinctive in a cup of drink. This unit meets the need for large amounts of ice daily.

CRESCENT ICE MAKER SERIES

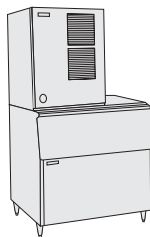
### FEATURES

- > stainless steel exterior and evaporator
- > cyclesaver® design 
- > evercheck® alert 
- > removable and cleanable air filters
- >  hoshiguard antimicrobial agent

### AVAILABLE MODELS

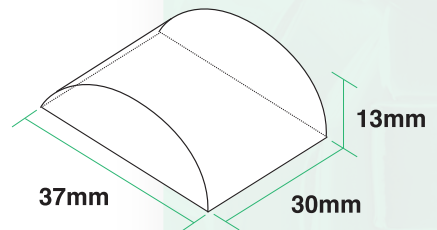


**KM-901MAH50**  
+  
**BIN - B501SA**



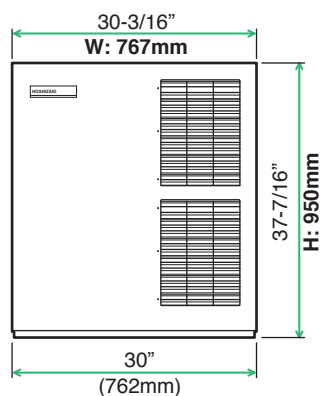
**KM-901MAH50**  
+  
**BIN - B801SA**

### ICE SIZE

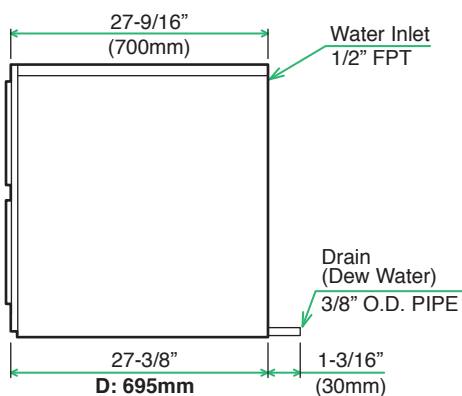


# DIMENSIONS & SPECIFICATION

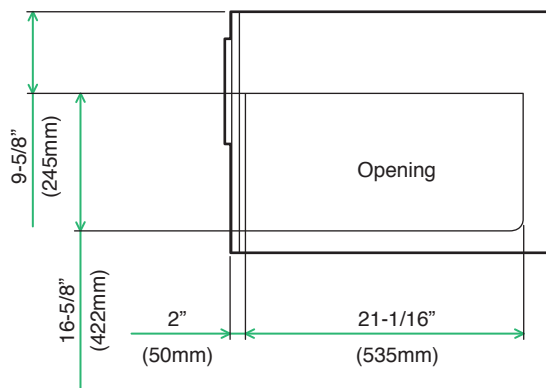
## FRONT VIEW



## SIDE VIEW



## ICE DROP ZONE



<b>MODEL NAME</b>		<b>KM-901MAH50</b>
ICE DIMENSIONS (MM) (W x D x H)		37 x 30 x 13
DIMENSIONS (MM) (W x D x H)		767 x 695 x 950
WEIGHT IN KG		116
AMPERAGE		9.0A
ELECTRICAL CONSUMPTION (KWH PER 45 KG)		5.1
REFRIGERANT CHARGE		R404a
ICE PRODUCTION PER 24H	(AT10°C/WT10°C)	398 KG
	(AT27°C/WT21°C)	345 KG
	(AT32°C/WT21°C)	320 KG
WATER CONSUMPTION PER 24H (AT32°C/WT21°C)		0.43 m <sup>3</sup> 1.3L / 1KG ICE
ICE PRODUCTION (AT32°C/WT21°C)	FREEZE CYCLE TIME	29 MIN
	PER CYCLE	6.2 KG / 720 PCS

**WARRANTY:**

Two years parts & labour for entire unit, 3<sup>rd</sup> year on compressor only. Excluding door & exterior damages

**OPERATING CONDITIONS:**

• Voltage Range: 198V-254V • Ambient Temperature: 7°-38°C  
• Water Supply: 7°-32°C • Water Pressure: 0.7-8kg / cm<sup>2</sup> • AC Supply Voltage: 1/220-240V / 50 Hz