



HOSHIZAKI

CRESCENT ICE MAKER SERIES

> KM-1301SAH-E




daily ice production capacity of up to 505kg



> KM-1301SAH-E
(With Hoshizaki Storage Bin - B-900)

Crescent-shaped ice moves around freely yet packs together tightly in its bin, maximising storage capacity. Individual crescents do not stick together as there are no air pockets so that each piece of ice comes across distinctive in a cup of drink. This unit meets the need for large amounts of ice daily and is stackable without taking up any added floor space.

FEATURES

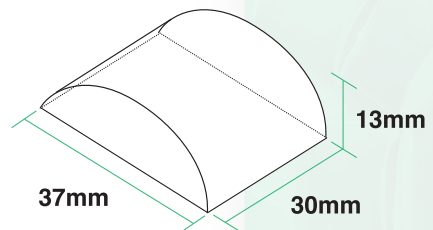
- > stainless steel exterior and evaporator
- > cyclesaver® design 
- > evercheck® alert 
- > removable and cleanable air filters
- >  hoshiguard antimicrobial agent
- > stackable to provide up to 1010kg daily production capacity

AVAILABLE MODELS



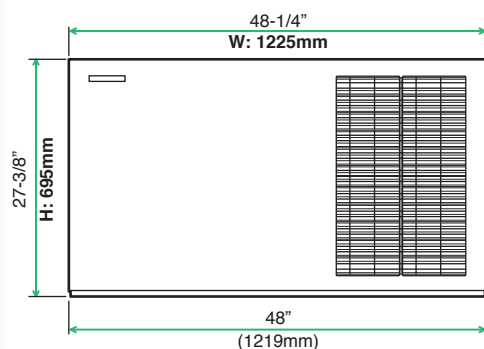
KM-1301SAH-E
+
BIN - B-800

ICE SIZE

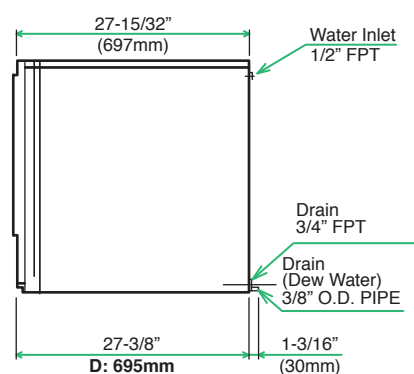


DIMENSIONS & SPECIFICATION

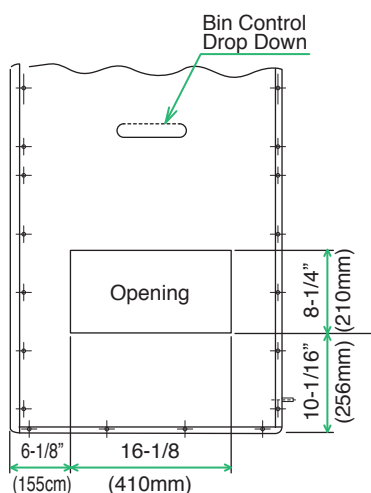
FRONT VIEW



SIDE VIEW



ICE DROP ZONE



MODEL NAME		KM-1301SAH-E
ICE DIMENSIONS (MM) (W x D x H)		37 x 30 x 13
DIMENSIONS (MM) (W x D x H)		1225 x 695 x 695
WEIGHT IN KG		143
AMPERAGE		11.8A
ELECTRICAL CONSUMPTION (KWH PER 45 KG)		5.1
REFRIGERANT CHARGE		R404a
ICE PRODUCTION PER 24H	(AT10°C/WT10°C)	505 KG
	(AT27°C/WT21°C)	471 KG
	(AT32°C/WT21°C)	455 KG
WATER CONSUMPTION PER 24H (AT32°C/WT21°C)		0.6 m ³
		1.3L / 1KG ICE
ICE PRODUCTION (AT32°C/WT21°C)	FREEZE CYCLE TIME	42 MIN
	PER CYCLE	13.2 KG / 1440 PCS

WARRANTY:

Two years parts & labour for entire unit, 3rd year on compressor only. Excluding door & exterior damages

OPERATING CONDITIONS: • Voltage Range: 198V-254V • Ambient Temperature: 7°-38°C
• Water Supply: 7°-32°C • Water Pressure: 0.7-8kg / cm² • AC Supply Voltage: 1/220-240V / 50 Hz