



# PLANETARY MIXER BE-40

Floorstanding unit with 40 lt./ qt. bowl.



DYNAMIC PREPARATION  
PLANETARY MIXERS

## SALES DESCRIPTION

C models, complete with attachment drive for accessories.

I models with stainless steel column.

## FEATURES AND BENEFITS

Please note: BE-40 requires a minimum electrical supply of 16 amps.

**Professional food mixer for preparing dough (bread, cake...), egg whites (soufflés, meringue...), sauces (mayonnaise...) and minced meat mixtures.**

- ✓ Powerful three-phase motor controlled by highly reliable electronic speed variator technology, which enables the mixers to be connected to a single-phase electrical mains supply.
- ✓ 0-30 minute electronic timer and continuous operation option.
- ✓ Acoustic alarm at end of cycle.
- ✓ Electronic speed control.
- ✓ Equipped with a safety guard.
- ✓ Lever operated bowl lift.
- ✓ Double micro switch for bowl position and safety guard.
- ✓ Safeties off indicator.
- ✓ Reinforced waterproofing system.
- ✓ Stainless steel legs.
- ✓ Strong and resistant bowl.
- ✓ Easy to maintain and repair.
- ✓ UNE-EN 454/2015 compliant.

## INCLUDES

- ✓ Stainless steel bowl.
- ✓ Beater spatula for soft dough.
- ✓ Spiral hook for heavy dough.
- ✓ Balloon whisk.

## ACCESSORIES

- Vegetable preparation attachment CR-143
- Meat mincer attachment HM-71
- Potato masher attachment P-132
- Bowls for planetary mixers
- Reduction equipments
- Bowl transport trolleys
- Base kit with wheels



**sammic** | [www.sammic.com](http://www.sammic.com)  
Food Service Equipment Manufacturer

Polígono Basarte, 1. phone +34 943 15 72 36  
20720 Azkoitia, Spain sales@sammic.com



Project	Date
Item	Qty
Approved	

product sheet  
updated 02/08/2019



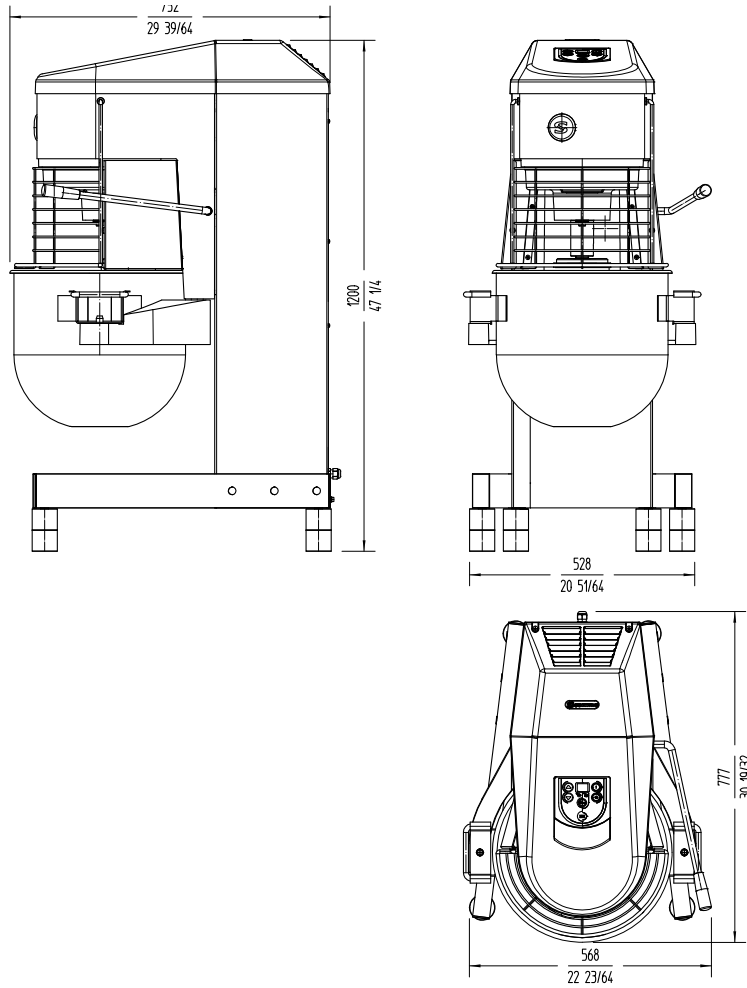
# PLANETARY MIXER BE-40

Floorstanding unit with 40 lt./ qt. bowl.



## SPECIFICATIONS

- Bowl capacity: 40 l
- Bowl dimensions: 422 mm x 367 mm
- Capacity in flour (60% water): 12 Kg
- Timer (min-max): 0 ' - 30 '
- External dimensions (WxDxH)**
  - ✓ Width: 586 mm
  - ✓ Depth: 777 mm
  - ✓ Height: 1202 mm
- Net weight: 124 Kg
- Noise level (1m.): 75 dB(A)
- Background noise: 32 dB(A)



## AVAILABLE MODELS

1500240	Food mixer BE-40 230/50-60/1
1500241	Food mixer BE-40C 230/50-60/1
1500246	Food mixer BE-40I 230/50-60/1
1500247	Food mixer BE-40 400-440/50-60/3
1500248	Food mixer BE-40C 400-440/50-60/3
1500249	Food mixer BE-40 208-240/50-60/1
1500250	Food mixer BE-40C 208-240/50-60/1

\* Ask for special versions availability

**sammic** | [www.sammic.com](http://www.sammic.com)  
**Food Service Equipment Manufacturer**  
 Polígono Basarte, 1. phone +34 943 15 72 36  
 20720 Azkoitia, Spain [sales@sammic.com](mailto:sales@sammic.com)



Project	Date
Item	Qty
Approved	

DYNAMIC PREPARATION  
PLANETARY MIXERS

product sheet  
updated 02/08/2019