



PLANETARY MIXER BE-30

Floorstanding unit with 30 lt./ 30 qt. bowl.



DYNAMIC PREPARATION
PLANETARY MIXERS



FEATURES AND BENEFITS

Professional food mixer for preparing dough (bread, cake...), egg whites (soufflés, meringue...), sauces (mayonnaise...) and minced meat mixtures.

- ✓ Powerful three-phase motor controlled by highly reliable electronic speed variator technology, which enables the mixers to be connected to a single-phase electrical mains supply.
- ✓ 0-30 minute electronic timer and continuous operation option.
- ✓ Acoustic alarm at end of cycle.
- ✓ Electronic speed control.
- ✓ Equipped with a safety guard.
- ✓ Lever operated bowl lift.
- ✓ Double micro switch for bowl position and safety guard.
- ✓ Safeties off indicator.
- ✓ Reinforced waterproofing system.
- ✓ Stainless steel legs.
- ✓ Strong and resistant bowl.
- ✓ Easy to maintain and repair. UNE-EN 454/2015 compliant.

SALES DESCRIPTION

C models, equipped with attachment drive for accessories.

I models with stainless steel column.

INCLUDES

- ✓ Stainless steel bowl.
- ✓ Beater spatula for soft dough.
- ✓ Spiral hook for heavy dough.
- ✓ Balloon whisk.

ACCESSORIES

- Vegetable preparation attachment CR-143
- Meat mincer attachment HM-71
- Potato masher attachment P-132
- Bowls for planetary mixers
- Reduction equipments
- Bowl transport trolleys
- Base kit with wheels



sammic | www.sammic.com
Food Service Equipment Manufacturer

Polígono Basarte, 1. phone +34 943 15 72 36
20720 Azkoitia, Spain sales@sammic.com



Project	Date
Item	Qty
Approved	

product sheet
updated 02/08/2019



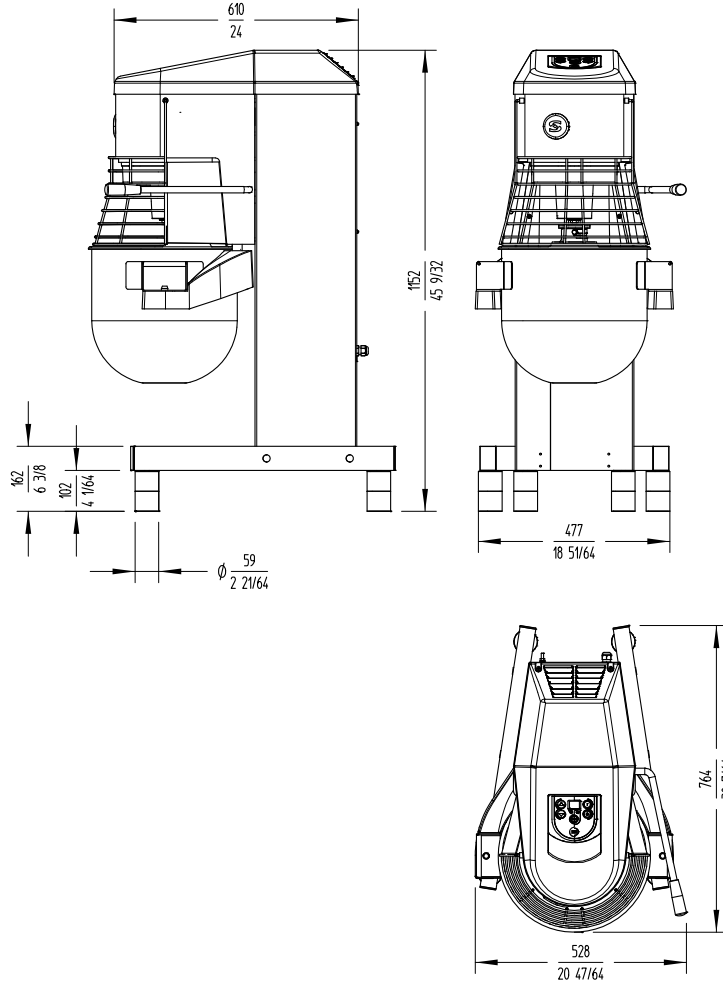
PLANETARY MIXER BE-30

Floorstanding unit with 30 lt./ 30 qt. bowl.



SPECIFICATIONS

- Bowl capacity: 30 l
- Bowl dimensions: 380 mm x 340 mm
- Capacity in flour (60% water): 9 Kg
- Timer (min-max): 0 ' - 30 '
- External dimensions (WxDxH)**
 - ✓ Width: 528 mm
 - ✓ Depth: 764 mm
 - ✓ Height: 1152 mm
- Net weight: 105 Kg
- Noise level (1m.): <75 dB(A)
- Background noise: 32 dB(A)



DYNAMIC PREPARATION
PLANETARY MIXERS

AVAILABLE MODELS

1500280	Food mixer BE-30 230/50-60/1
1500282	Food mixer BE-30l 230/50-60/1
1500281	Food mixer BE-30C 230/50-60/1
1500286	Food mixer BE-30 400-440/50-60/3
1500289	Food mixer BE-30 208-240/50-60/1
1500291	Food mixer BE-30l 208-240/50-60/1
1500287	Food mixer BE-30C 400-440/50-60/3

* Ask for special versions availability

sammic | www.sammic.com
Food Service Equipment Manufacturer
 Polígono Basarte, 1. phone +34 943 15 72 36
 20720 Azkoitia, Spain sales@sammic.com



Project	Date
Item	Qty
Approved	

product sheet
updated 02/08/2019