

BG74XM

GAS BRATT PAN WITH MANUAL LIFTING MECHANISM AND DUPLEX 2304 TANK BOTTOM



- Exteriors and supporting structure made of steel throughout
- Stainless steel tank with Duplex 2304 bottom; rounded corners
- Height-adjustable steel feet
- M = Manual tilting of the pan with crank handle
- Pan filling by means of filling tap and pipe
- Steel lid with large handle
- Stainless steel tubular burners with piezo ignition and pilot flame
- Temperature regulation (100 to 330 °C)
- Temperature controlled by thermostatic valve fitted with safety thermocouple
- Tank capacity 50 lt

General technical data

Dimensions: (mm) **800x700x900**

Volume: (m³) **0,9**

Weight:: (Kg) **160**

Gas connection

kW **12**

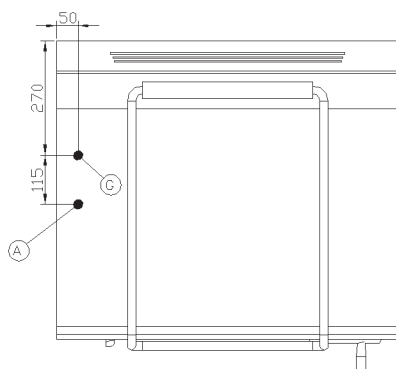
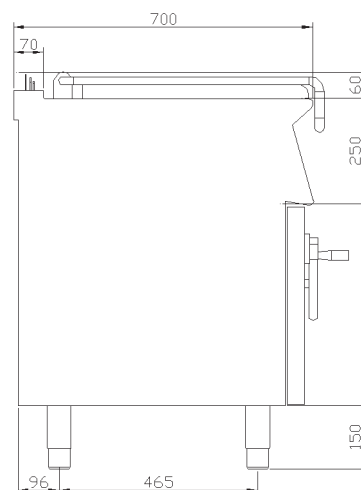
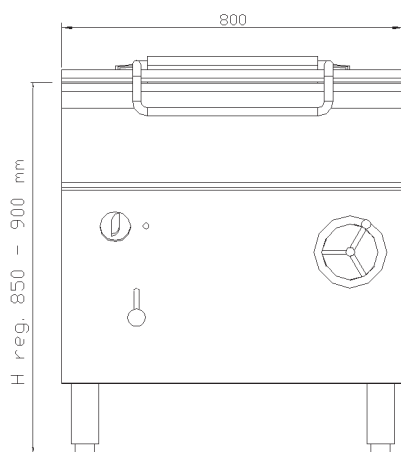
UNI ISO 7\1 R 1/2"

Electrical connection

kW **0,3**

Power supply voltage **230V/1 50/60Hz**

Cold water connection **1/2"**



- (G) GAS INLET
- (E) ELECTRICAL PLUG
- (A) WATER INLET
- (C) HOT WATER INLET
- (F) COLD WATER INLET
- (S) WATER DRAIN