



TECHNICAL FEATURES

- Heating of cooking chamber with high performance INCOLOY heating elements.
- Rapid chamber ventilation system.
- Meteo system (patented) for humidity control in the cooking chamber.
- Inverter-controlled fan with 6 different speeds.
- Immediate shutdown of the fan rotation by opening the door.
- Steam production with Symbiotic technology (patented).
- Super steam.
- USB port for uploading and saving recipes and for firmware updating.
- Double-glazed ventilated door (panels can be opened for easy cleaning).
- Cooking chamber lighting with LED.
- AISI 304 cooking chamber with coved corners.
- Height adjustable feet.
- Single control by means of just one jog/dial encoder knob.
- Motorised vent valve opening.

OPTIONS:

- Left hinged door (or request).
- SEME062W Washing system included.

USER INTERFACE:

PROGRAMMABLE VERSION



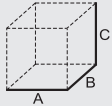
- Temperature control from 30° to 300°C.
- Time control from 1' to 120'; infinite function.
- Cooking modes: convection, steam, combi convection/steam.
- Digital control card: 99 programs. Preset cooking programmes. Possibility of controlling 9 cooking phases for each programme.
- Delta T cooking.
- Cooking with probe.
- Cooking chamber humidity control (Meteo system).
- Super steam.
- Cooldown during cooking.

SYMBIOTIC TECHNOLOGY

STEAMBOX "M" offers two methods of generating steam: boiler-generated and instant mode. Working in synergy, these two methods make it possible to gain the maximum advantage from the two individual systems and overcome their limitations. These advantages are easy to measure in terms of speed, efficiency, energy-saving and steam quality.

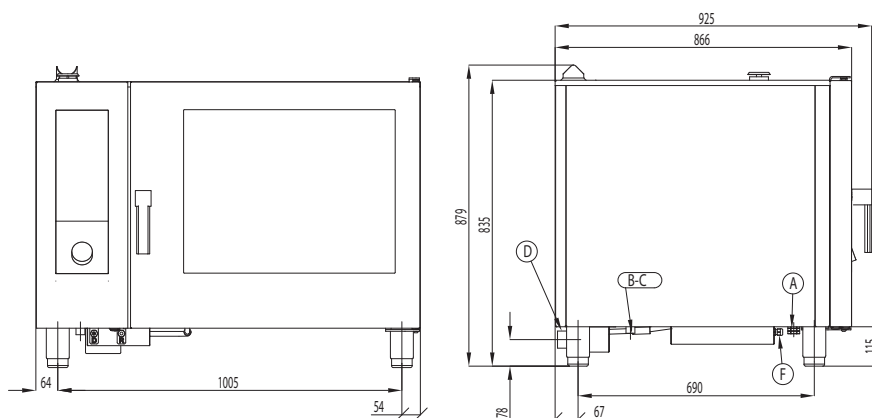


To guarantee a perfectly balanced climate inside the cooking chamber, Giorik has patented a unique humidity control system (Meteo System) using software that analyses the relevant parameters in the cooking chamber and then regulates the production of steam or discharges excess humidity.

	VOL./PESO Vol./Weight	VAC 400V-3N 50Hz (60 Hz optional)	POTENZA EL. CAMERA Oven cavity el. power	DISTANZA TRA LE TEGLIE Distance between the layers	DIM. CAMERA Cavity net dimension
(A x B x C) cm	m ³ /kg	kW	kW	mm	mm
112x84,5x83,5 6 GN 2/1	1,14 / 195	21,4	20	70	637x730x470

ACCESSORIES

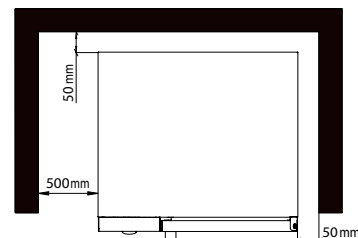
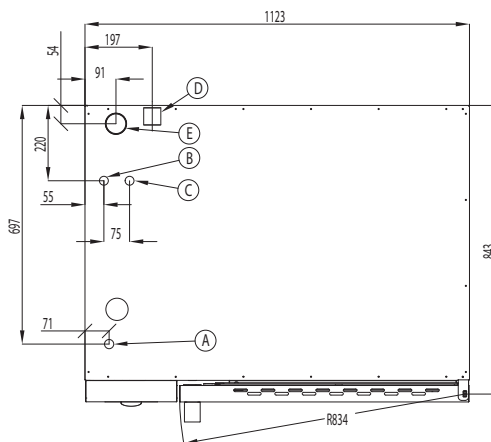
- Stand TSB62
- Racks for stand TSB62 cod. 2022356
- Neutral cupboards TAN0821
- Retractable hand shower 7080052
- Core probe 6000120
- Stacking kit on demand



- A Electrical power inlet
- B Softened water inlet (G3/4)
- C Water inlet valve (G3/4)
- D Drain connection(Ø50)
- E Cavity Vent (Ø60)
- F Detergent and rinse aid inlet

WATER QUALITY REQUIREMENTS

Hardness 60-100 ppm
 TDS <100 mg/L
 PH Value 7.0-8.0
 Cl₂ Free chlorine..... <0,5 mg/L
 Cl Chloride..... <20 mg/L
 Alkalinity..... <20 mg/L
 SiO₂ Silica..... <10 mg/L



* Clearance requirements

NOTE

* Drain line must be vented