



Project: _____ Item# _____

HMB AB 160

Mibrasa® charcoal oven with cupboard below



TECHNICAL INFORMATION

Fire up time ¹	45 min-average
Cooking temperature	482 - 662 °F
	250 - 350 °C
Initial charcoal load ¹	40 lb
	18 kg
Production*	264.55 lb/h
	120 kg/h
Charcoal load duration ²	8 h
Gastronorm / grill	2 x GN 1/1 + 2 x GN 1/2
Equivalent power*	8.05 hp
	6 kW
Exhaust rate	257 gal/s
	3500 m ³ /h
Net weight ³	603 kg
	1329 lb

FEATURES

OUR CHARCOAL OVENS

MIBRASA® is a closed barbecue grill invented and made in our workshops. Made from the best quality steel by expert hands, our grills are designed to satisfy even the most demanding chefs.

The technical specifications allow the user to accurately control the air flow through the grill, changing the intensity of the embers. This is an extremely efficient way of cooking and cuts down the amount of charcoal needed.

MIBRASA® charcoal ovens allow you to cook all types of foods retaining the natural flavors and bringing out a unique taste.

THE VERSATILITY OF MIBRASA® CHARCOAL OVENS

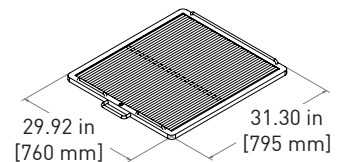
We have a wide range of high quality products and accessories allowing you to completely personalize your MIBRASA® charcoal oven, adapting it to your needs.

*Approximate data
1. Consult instruction manual
2. Will vary depending on quality of charcoal
3. Weight with accessories included

DINERS PER SERVICE*



GRILL DIMENSIONS



INCLUDED ACCESSORIES

- Two grills
- Mibrasa tongs
- Ash shovel
- Ember poker
- Grill brush
- Firebreak
- Dissipating filter
- Mibrasa Ecofire fire-lighters

OPTIONAL ACCESSORIES

- Kitchenware (consult online catalogue)
- Wheels with brakes

Specifications and design are subject to change without notice.

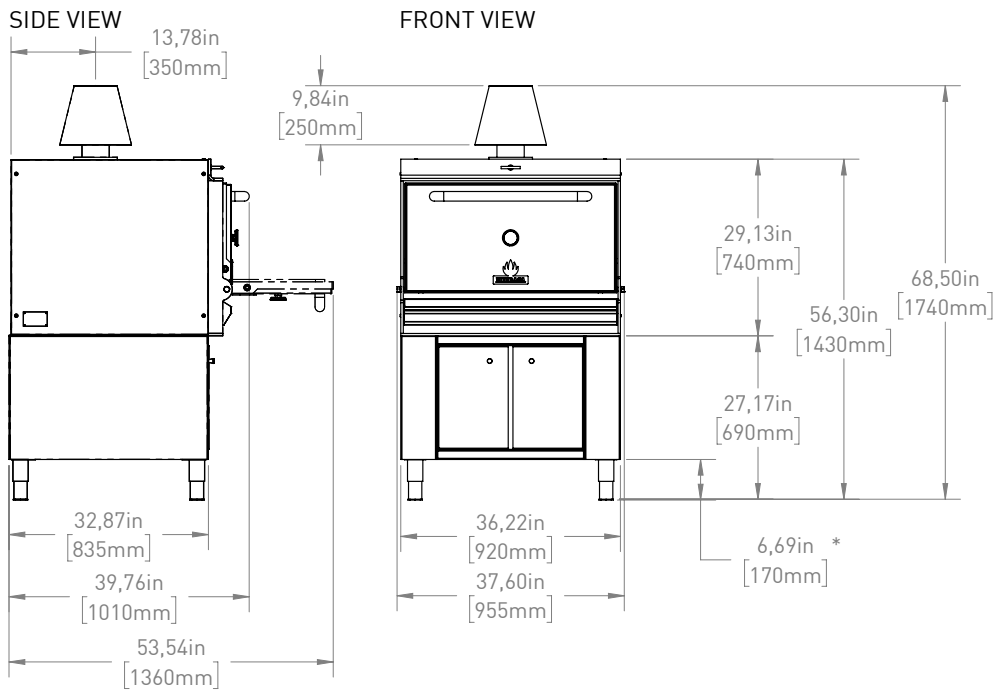
QUALITY GUARANTEE





HMB AB 160

Mibrasa® charcoal oven with cupboard below



* Adjustable leg height: 5.31-7.68 in [135-195 mm]

DOOR COLOR



BLACK



RED



YELLOW



STAINLESS STEEL

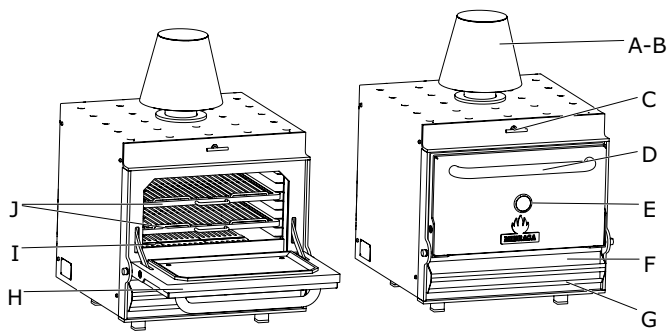
VENTILATION

- Firebreak diameter: Ø6.06 in [154 mm]
- Duct diameter: Ø4.50 in [114 mm]

SHIPMENT

- Crated weight: 1528 lb [693 kg]
- Crated size (WxDxH): 43.3 x 43.3 x 84.2 in [1100 x 1100 x 2140 mm]

Revit drawings available on request at usa@mibrasa.com



A	Firebreak
B	Dissipating filter
C	Upper damper
D	Door handle
E	Thermometer
F	Lower damper / Ash collector
G	Grease collector
H	Door
I	Charcoal grids
J	Grills

Installation guidelines and safety standards

- Combustible floor protection dimensions:
 - a. 30 in [762 mm] to each side of the door opening
 - b. 36 in [914 mm] in front of the door opening
- Clearances to combustible constructions:
 - a. Unit to backwall = 3 in [76 mm]
 - b. Unit to sidewalls = 3 in [76 mm]
- The workspace for the chef should be 43.31 in [1100 mm] from the front of the oven.
- A lifting device should be used whenever possible to lift the oven and place on the countertop/cupboard.

For further information, please consult the instruction manual.

Specifications and design are subject to change without notice.