



# HMB 75

Mibrasa® worktop charcoal oven



## TECHNICAL INFORMATION

Fire up time <sup>1</sup>	45 min-average
Cooking temperature	250 - 350 °C
Initial charcoal load <sup>1</sup>	10 kg
Production*	70 kg/h
Charcoal load duration <sup>2</sup>	7 h
Gastronorm / grill	GN 1/1 + GN 1/2 + GN 1/4
Equivalent power*	3.5 kW
Exhaust rate	2800 m <sup>3</sup> /h
Installation height*	700 mm
Net weight <sup>3</sup>	301 kg

\*Approximate data

1. Consult instruction manual
2. Will vary depending on quality of charcoal
3. Weight with accessories included

## FEATURES

### OUR CHARCOAL OVENS

MIBRASA® is a closed barbecue grill invented and made in our workshops. Made from the best quality steel by expert hands, our grills are designed to satisfy even the most demanding chefs.

The technical specifications allow the user to accurately control the air flow through the grill, changing the intensity of the embers. This is an extremely efficient way of cooking and cuts down the amount of charcoal needed.

MIBRASA® charcoal ovens allow you to cook all types of foods retaining the natural flavors and bringing out a unique taste.

### THE VERSATILITY OF MIBRASA® CHARCOAL OVENS

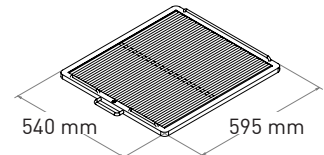
We have a wide range of high quality products and accessories allowing you to completely personalize your MIBRASA® charcoal oven, adapting it to your needs.

### DINERS PER SERVICE\*



75-95

### GRILL DIMENSIONS



## INCLUDED ACCESSORIES

- Grill
- Oven tongs
- Ash shovel
- Ember pocker
- Grill brush
- Mibrasa Ecofire fire-lighters

## OPTIONAL ACCESSORIES

- Extra grill
- Firebreak
- Dissipating filter
- Kitchenware (consult online catalogue)
- Wheels with brakes

Specifications and design are subject to change without notice.

## QUALITY GUARANTEE

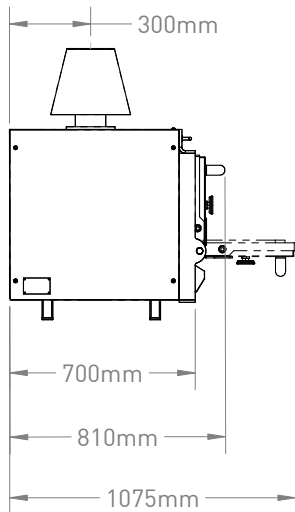




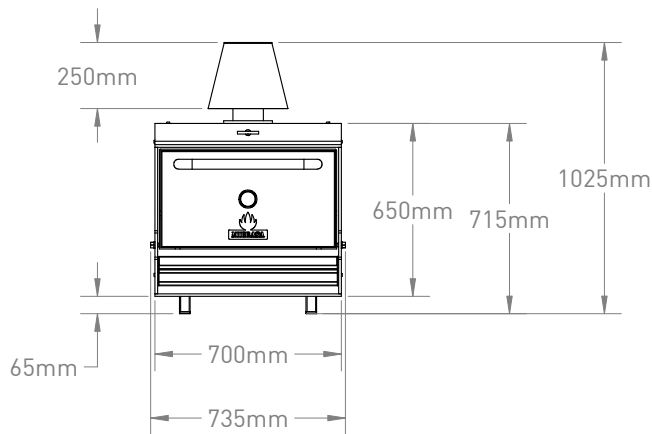
# HMB 75

Mibrasa® worktop charcoal oven

## SIDE VIEW



## FRONT VIEW



## DOOR COLOR



BLACK



RED



YELLOW



STAINLESS STEEL

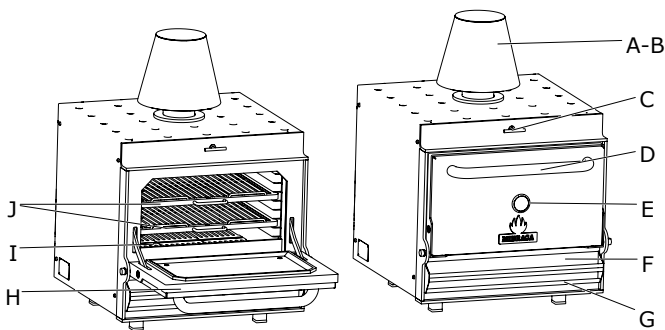
## VENTILATION

- Firebreak diameter:  $\varnothing 154$  mm
- Duct diameter:  $\varnothing 114$  mm

## SHIPMENT

- Gross weight: 356 kg
- Package size (WxDxH): 900 x 800 x 1350 mm

Revit drawings available on request at [mibrasa@mibrasa.com](mailto:mibrasa@mibrasa.com)



A	Firebreak
B	Dissipating filter
C	Upper damper
D	Door handle
E	Thermometer
F	Lower d./ash collector
G	Grease collector
H	Door
I	Charcoal grids
J	Grills

## Installation guidelines and safety standards

- Do not place combustible materials within a distance of 710 mm from the top, bottom, rear or side of the MIBRASA® oven.
- Combustible floor protection dimensions:
  - a. 762 mm to each side of the door opening.
  - b. 914 mm in front of the door opening.
- Clearances to construction/other appliances:
  - a. Unit to backwall = 76 mm.
  - b. Unit to sidewalls = 76 mm.
- The workspace for the chef should be 1100 mm from the front of the oven.
- A lifting device should be used whenever possible to lift the oven and place on the countertop/cupboard.

For further information, please consult the instruction manual.

Specifications and design are subject to change without notice.