

## BG74FM

## GAS BRATT PAN WITH MANUAL TILTING MECHANISM



- Exteriors and supporting structure made of steel throughout
- Stainless steel pan with iron bottom and rounded corners
- Height-adjustable steel feet
- M = Manual tilting of the pan with crank handle
- Pan filling by means of filling tap and pipe
- Steel lid with large handle
- Stainless steel tubular burners with piezo ignition and pilot flame
- Temperature regulation (100 to 330 °C)
- Temperature controlled by thermostatic valve fitted with safety thermocouple
- Tank capacity 50 lt

### General technical data

Dimensions: (mm) **800x700x900**

Volume: (m<sup>3</sup>) **0,9**

Weight:: (Kg) **162**

#### Gas connection

kW **12**

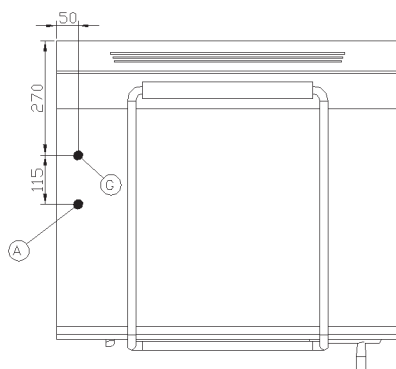
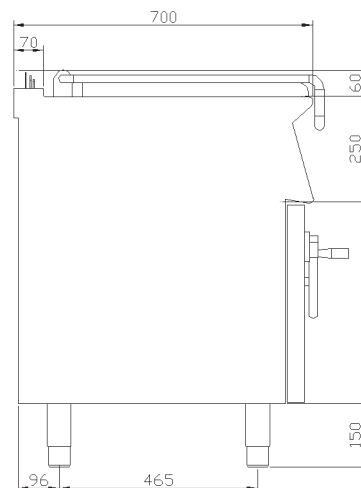
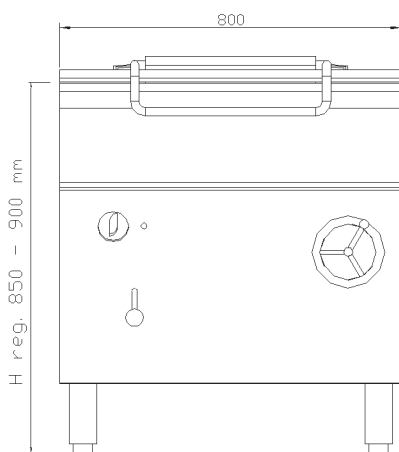
UNI ISO 7\1 R 1/2"

#### Electrical connection

kW **0,3**

Power supply voltage **230V/1  
50/60Hz**

Cold water connection **1/2"**



- (G) GAS INLET  
 (E) ELECTRICAL PLUG  
 (A) WATER INLET  
 (C) HOT WATER INLET  
 (F) COLD WATER INLET  
 (S) WATER DRAIN