

**BE74FM**

**ELECTRIC BRATT PAN WITH MANUAL TILTING MECHANISM**



- Exteriors and supporting structure made of steel throughout
- Stainless steel pan with iron bottom and rounded corners
- Height-adjustable steel feet
- M = Manual tilting of the pan with crank handle
- Pan filling by means of filling tap and pipe
- Steel lid with large handle
- Armoured heating elements
- Thermostat temperature regulation (50°C to 300°C)
- Safety cut-out thermostat
- Warning light to check the appliance is working properly

**General technical data**

Dimensions: (mm) **800x700x900**

Volume: (m<sup>3</sup>) **0,9**

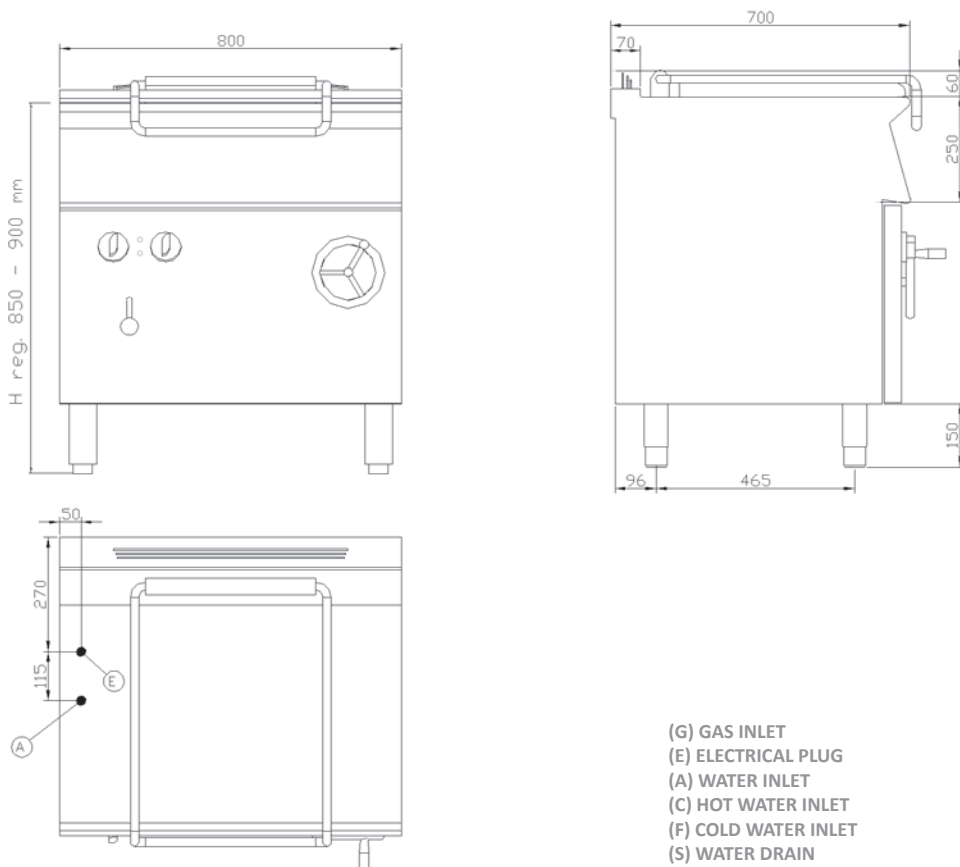
Weight:: (Kg) **160**

**Electrical connection**

kW **10**

Power supply voltage **VAC 400/3N 50/60Hz**

**Cold water connection** **1/2"**



- (G) GAS INLET
- (E) ELECTRICAL PLUG
- (A) WATER INLET
- (C) HOT WATER INLET
- (F) COLD WATER INLET
- (S) WATER DRAIN